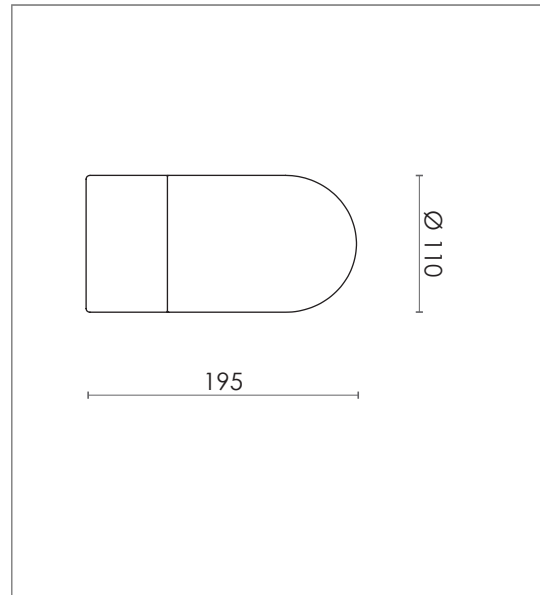


VOX WALL DIRECT

DESIGN SPECIFICATIONS

| | |
|------------------------|--|
| DIMENSIONS (mm) | W 195 x W Ø 110 |
| WEIGHT (kg) | 1,1 |
| MATERIALS | THE LAMP IS MADE FROM GLASS AND CLEAR LACQURED BRASS |
| CORD (mm) | NO |
| ENVIRONMENT | INDOOR |
| DESIGN BY | NICLAS HOFLIN |
| DESIGN YEAR | 2012 |



ELECTRICAL SPECIFICATIONS

| | |
|---------------------|---------------------------------------|
| SWITCH | NO |
| BULB HOLDER | E27 |
| LIGHT SOURCE | INCLUDED DIMMABLE 7 W LED - 2700 K |
| DIMMABLE | YES |
| MAX (W) | 10 W LED |
| VOLTAGE | 230 / 240 |
| CLASS | 1 |
| IP | 21 |

COLOURS



BRASS / OPAL GLASS

ART.NO. 700200001

Rubn