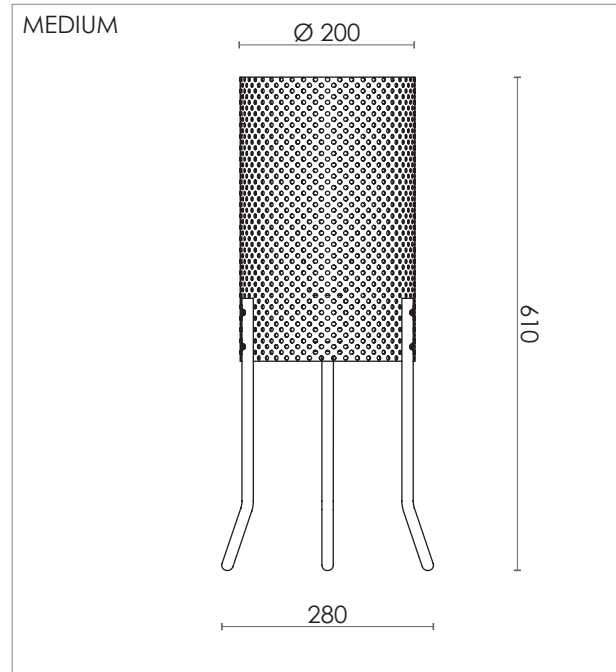
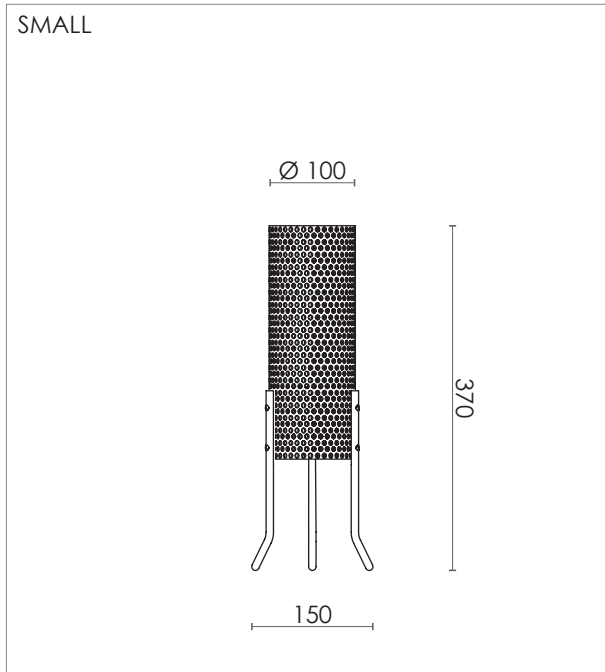


# VOUGE TRIPOD TABLE





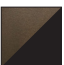
## DESIGN SPECIFICATIONS

<b>DIMENSIONS (mm)</b>	W 150 x H 370 - SHADE Ø 100 W 280 x H 610 - SHADE Ø 200
<b>WEIGHT (kg)</b>	1,0 / 2,5
<b>MATERIALS</b>	THE LAMP IS MADE FROM CLEAR LACQURED BRASS OR POWDER COATED STEEL
<b>CORD (mm)</b>	BLACK TEXTILE - L 1900
<b>ENVIRONMENT</b>	INDOOR
<b>DESIGN BY</b>	NICLAS HOFLIN
<b>DESIGN YEAR</b>	2015

## ELECTRICAL SPECIFICATIONS

<b>SWITCH</b>	DIMMER ON CABLE
<b>BULB HOLDER</b>	E27
<b>LIGHT SOURCE</b>	INCLUDED DIMMABLE 6 W LED - 2700K
<b>DIMMABLE</b>	YES
<b>MAX (W)</b>	12 W LED
<b>VOLTAGE</b>	230 / 240
<b>CLASS</b>	2
<b>IP</b>	20

## COLOURS

	<b>BLACK/ BRASS</b>	<b>SMALL</b> ART.NO. 511161005	<b>MEDIUM</b> ART.NO. 511164005
	<b>WHITE/ BRASS</b>	<b>SMALL</b> ART.NO. 511161303	<b>MEDIUM</b> ART.NO. 511164303
	<b>BRONZE- COLOR/ BLACK</b>	<b>SMALL</b> ART.NO. 511161223	<b>MEDIUM</b> ART.NO. 511164223