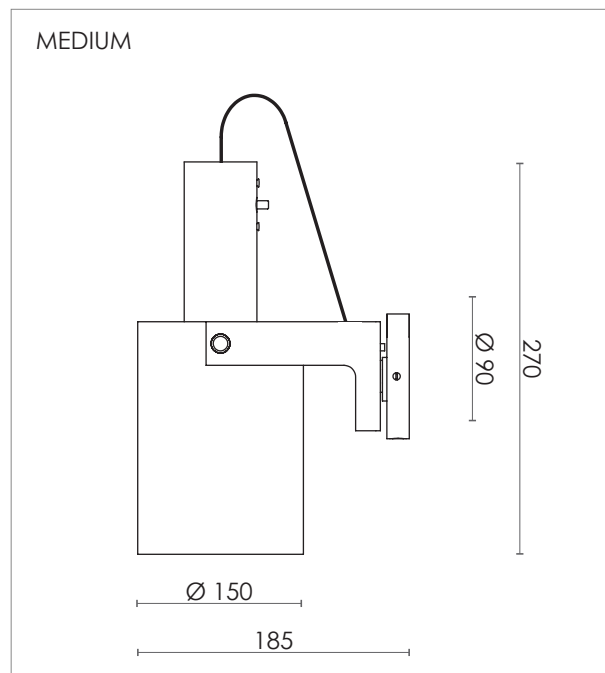
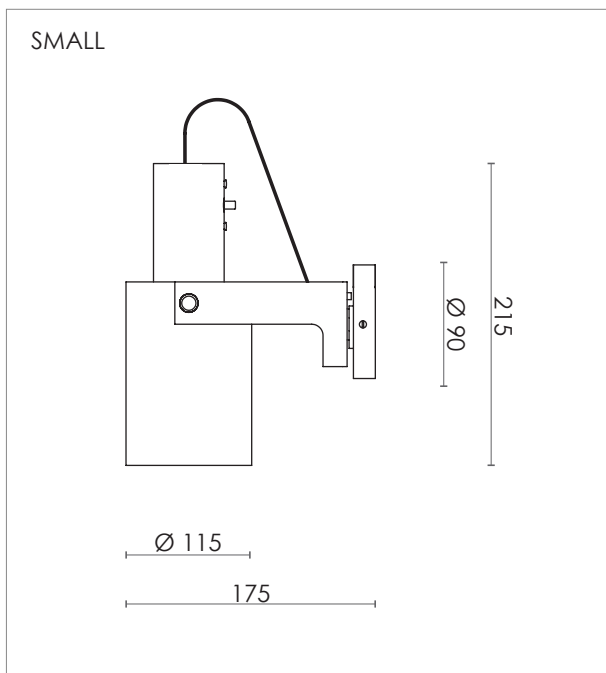


VOLUME 2 WALL



DESIGN SPECIFICATIONS

DIMENSIONS (mm)

SMALL H 215 x W 175 - SHADE Ø 115
MEDIUM H 270 x W 185 - SHADE Ø 150

WEIGHT (kg) 1,2 / 1,7

MATERIALS THE LAMP IS MADE FROM CLEAR LACQURED BRASS OR POWDER COATED STEEL

CORD (mm) BLACK TEXTILE - L 3900

ENVIRONMENT INDOOR

DESIGN BY NICLAS HOFLIN

DESIGN YEAR 2007

ELECTRICAL SPECIFICATIONS

SWITCH NO

BULB HOLDER S GU10 / M E27

LIGHT SOURCE INCLUDED DIMMABLE
S 4 W - 2700K
M 7 W - 2700K

DIMMABLE YES

MAX (W) 7 W LED

VOLTAGE 230 / 240

CLASS 1

IP 20

COLOURS



BLACK / BRASS

WITH CABLE
DIRECT MOUNT

SMALL ART.NO. 411261005
ART.NO. 411265005

MEDIUM ART.NO. 411263005
ART.NO. 411267005

SLATE GREY / BRASS

WITH CABLE
DIRECT MOUNT

SMALL ART.NO. 411261025
ART.NO. 411265025

MEDIUM ART.NO. 411263025
ART.NO. 411267025

UMBRA GREY / BRASS

WITH CABLE
DIRECT MOUNT

SMALL ART.NO. 411261026
ART.NO. 411265026

MEDIUM ART.NO. 411263026
ART.NO. 411267026

SOIL GREY / BRASS

WITH CABLE
DIRECT MOUNT

SMALL ART.NO. 411261030
ART.NO. 411265030

MEDIUM ART.NO. 411263030
ART.NO. 411267030

WHITE / BRASS

WITH CABLE
DIRECT MOUNT

SMALL ART.NO. 411261202
ART.NO. 411265202

MEDIUM ART.NO. 411263202
ART.NO. 411267202

Rubn