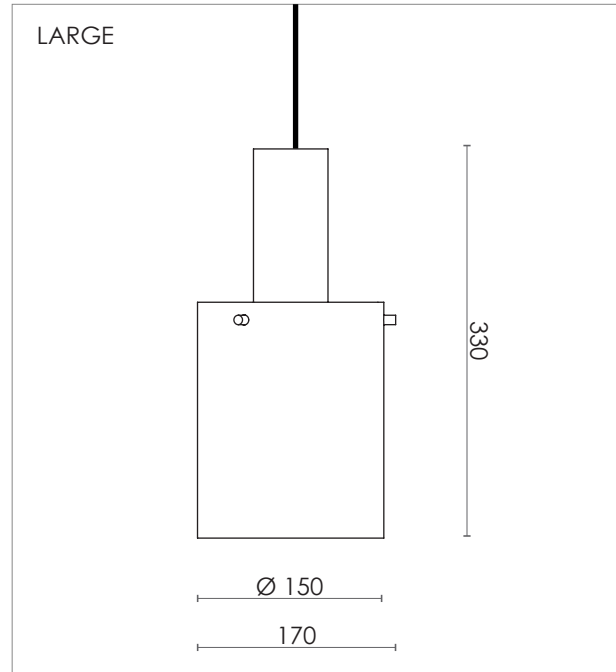
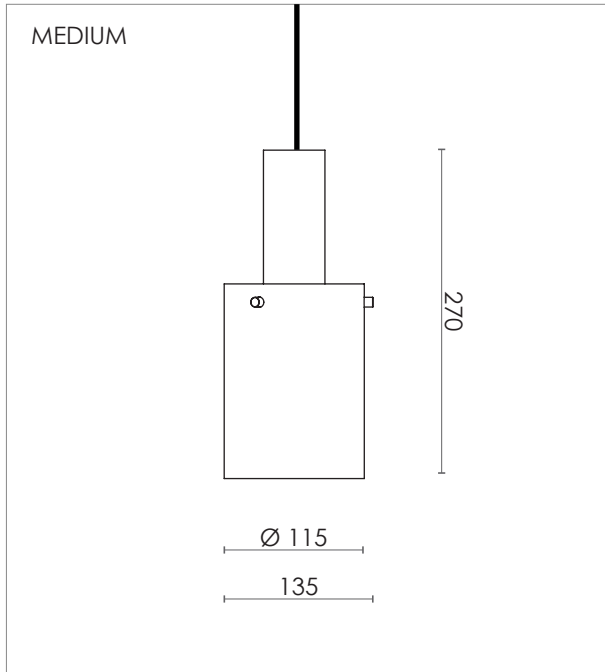


VOLUME 2 PENDANT



DESIGN SPECIFICATIONS

DIMENSIONS (mm)

MEDIUM H 270 x W 135 - SHADE Ø 115
LARGE H 330 x W 170 - SHADE Ø 150

WEIGHT (kg) 1,3 / 2,0

MATERIALS THE LAMP IS MADE FROM CLEAR LACQURED BRASS OR POWDER COATED STEEL

CORD (mm) BLACK TEXTILE - L 3900

ENVIRONMENT INDOOR

DESIGN BY NICLAS HOFLIN

DESIGN YEAR 2007

ELECTRICAL SPECIFICATIONS

SWITCH NO

BULB HOLDER E27

LIGHT SOURCE INCLUDED DIMMABLE
7 W - 2700K

DIMMABLE YES






MAX (W) 7 W LED

VOLTAGE 230 / 240

CLASS 1

IP 20

COLOURS

	BLACK / BRASS	MEDIUM ART.NO. 411574005	LARGE ART.NO. 411575005
	SLATE GREY / BRASS	MEDIUM ART.NO. 411574025	LARGE ART.NO. 411575025
	UMBRA GREY / BRASS	MEDIUM ART.NO. 411574026	LARGE ART.NO. 411575026
	SOIL GREY / BRASS	MEDIUM ART.NO. 411574030	LARGE ART.NO. 411575030
	WHITE / BRASS	MEDIUM ART.NO. 411574202	LARGE ART.NO. 411575202