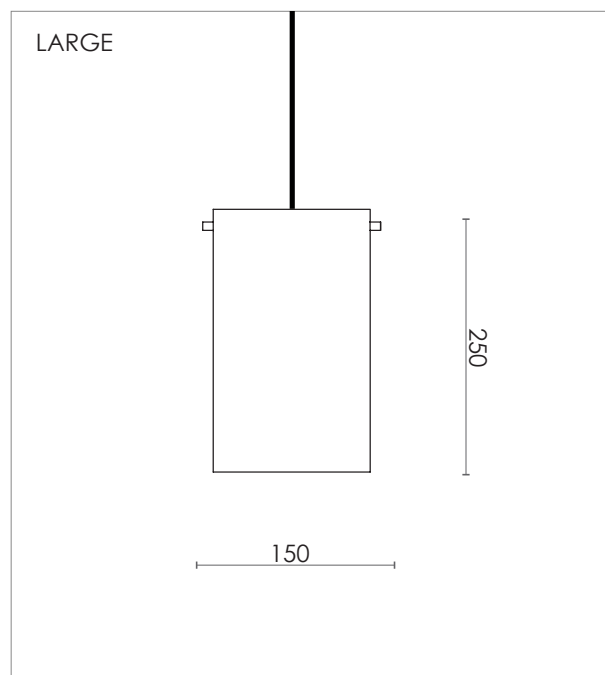
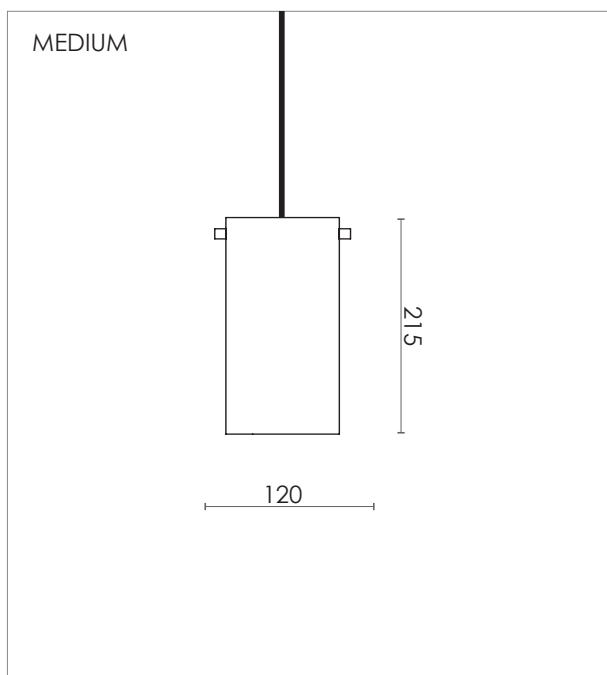


VOLUME 1 PENDANT



DESIGN SPECIFICATIONS

DIMENSIONS (mm)

W Ø120 x H 215
W Ø150 x H 250

WEIGHT (kg)

0,35 / 0,4

MATERIALS

THE LAMP IS MADE FROM CLEAR
LACQURED BRASS, STEEL OR POWDER
COATED STEEL

CORD (mm)

BLACK TEXTILE - L 3900

ENVIRONMENT

INDOOR

DESIGN BY

NICLAS HOFLIN

DESIGN YEAR

2012

ELECTRICAL SPECIFICATIONS

SWITCH

NO

BULB HOLDER

E27

LIGHT SOURCE

INCLUDED DIMMABLE
7 W LED - 2700K

DIMMABLE

YES

MAX (W)

7 W LED

VOLTAGE

230 / 240

CLASS

1

IP

20

COLOURS



BLACK / BRASS

MEDIUM ART.NO. 411571005

LARGE ART.NO. 411572005

SLATE GREY / BRASS

MEDIUM ART.NO. 411571025

LARGE ART.NO. 411572025

UMBRA GREY / BRASS

MEDIUM ART.NO. 411571026

LARGE ART.NO. 411572026

SOIL GREY / BRASS

MEDIUM ART.NO. 411571030

LARGE ART.NO. 411572030

WHITE / BRASS

MEDIUM ART.NO. 411571202

LARGE ART.NO. 411572202

Rubn