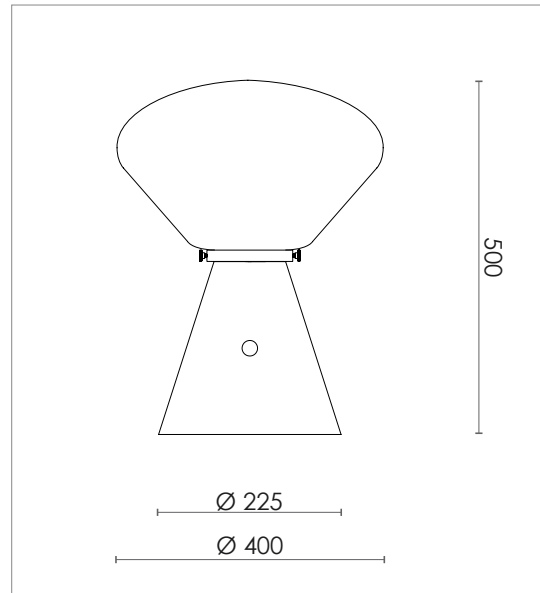


OTTILA TABLE

DESIGN SPECIFICATIONS




DIMENSIONS (mm)	H 500 x Ø 400 - BASE Ø 225
WEIGHT (kg)	6,0
MATERIALS	THE LAMP IS MADE FROM CLEAR LACQURED BRASS, STEEL OR POWDER COATED ALUMINUM AND OPAL GLASS
CORD (mm)	BLACK TEXTILE - L 2000
ENVIRONMENT	INDOOR
DESIGN BY	NICLAS HOFLIN
DESIGN YEAR	2019



ELECTRICAL SPECIFICATIONS

SWITCH	DIMMER ON LAMP
BULB HOLDER	E 27
LIGHT SOURCE	INCLUDED 15 W LED DIMMABLE - 2700 K
DIMMABLE	YES
MAX (W)	15 W LED
VOLTAGE	230 / 240
CLASS	2
IP	20

COLOURS

	BLACK / OPAL GLASS	ART.NO. 515101005
	BEIGE RED / OPAL GLASS	ART.NO. 515101215
	CLAY GREY/ OPAL GLASS	ART.NO. 515101115
	BRASS/ OPAL GLASS	ART.NO. 515101001
	STEEL/ OPAL GLASS	ART.NO. 515101500