

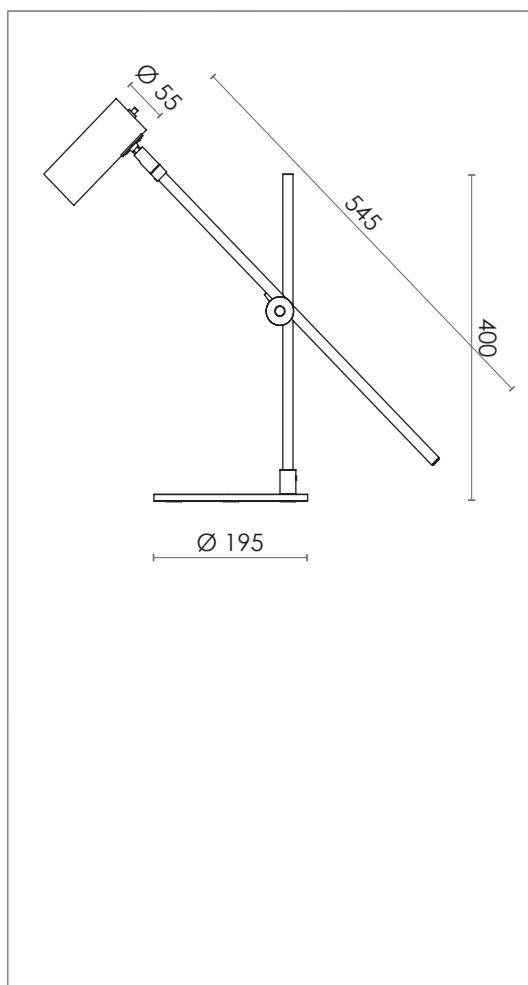
LEKTOR DESK

DESIGN SPECIFICATIONS






DIMENSIONS (mm)	H 400 x ADJUSTABLE ARM 545 SHADE Ø 55 - BASE Ø 195
WEIGHT (kg)	3
MATERIALS	THE LAMP IS MADE FROM CLEAR LACQUERED BRASS, STEEL OR POWDER COATED STEEL.
CORD (mm)	BLACK TEXTILE - L 2300
ENVIRONMENT	INDOOR
DESIGN BY	NICLAS HOFLIN
DESIGN YEAR	2013

ELECTRICAL SPECIFICATIONS

SWITCH	ON/OFF
BULB HOLDER	GU10
LIGHT SOURCE	INCLUDED 4 W LED - 2700 K
DIMMABLE	YES
MAX (W)	6 W LED
VOLTAGE	230 / 240
CLASS	2
IP	20



COLOURS

	BLACK	ART.NO. 450115005
	BLACK / BRASS	ART.NO. 450110005
	WHITE / BRASS	ART.NO. 450110002
	BRASS	ART.NO. 450115001
	STEEL	ART.NO. 450115500