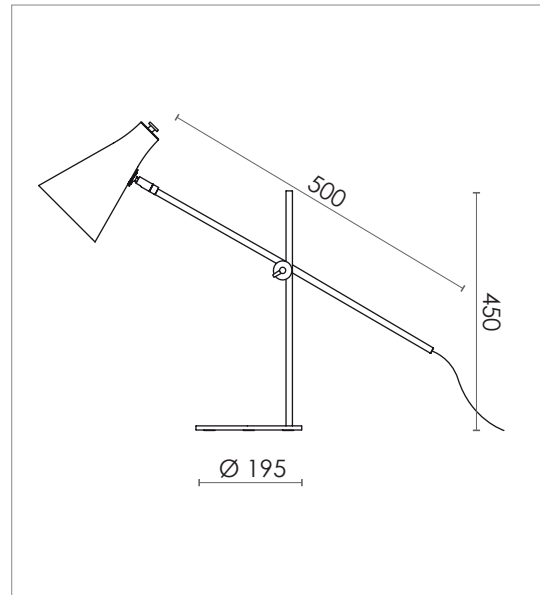


HUNTER DESK

DESIGN SPECIFICATIONS

DIMENSIONS (mm)	H 450 x W ADJUSTABLE ARM 500 SHADE Ø 170
WEIGHT (kg)	-
MATERIALS	THE LAMP IS MADE FROM POWDER COATED STEEL.
CORD (mm)	BLACK TEXTILE - L 2800
ENVIRONMENT	INDOOR
DESIGN BY	NICLAS HOF LIN
DESIGN YEAR	2013



ELECTRICAL SPECIFICATIONS

SWITCH	DIMMER ON LAMP
BULB HOLDER	E27
LIGHT SOURCE	INCLUDED 7 W LED - 2700 K
DIMMABLE	YES
MAX (W)	10 W LED
VOLTAGE	230 / 240
CLASS	2
IP	20

COLOURS

	BLACK GREY	ART.NO. 800111050
	GREY BLUE	ART.NO. 800111015
	SILK GREY	ART.NO. 800111010

Rubn