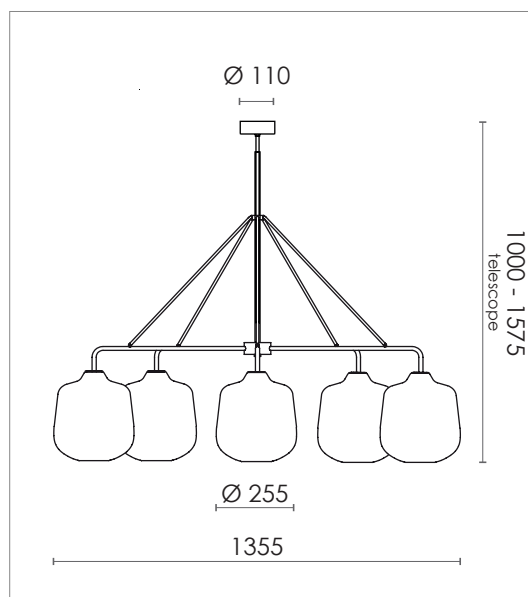


HOLBORN 5 CHANDELIER

DESIGN SPECIFICATIONS

DIMENSIONS (mm)	H 1000 x 1575 - W 1355 SHADE Ø 255
WEIGHT (kg)	-
MATERIALS	THE LAMP IS MADE FROM GLASS AND CLEAR LACQURED BRASS.
CORD (mm)	NO
ENVIRONMENT	INDOOR
DESIGN BY	NICLAS HOFLIN
DESIGN YEAR	2016



ELECTRICAL SPECIFICATIONS

SWITCH	NO
BULB HOLDER	E27
LIGHT SOURCE	INCLUDED 5 x 7 W LED DIMMABLE - 2700 K
DIMMABLE	YES
MAX (W)	50 W LED
VOLTAGE	230 / 240
CLASS	1
IP	20

COLOURS



BRASS / OPAL GLASS

ART.NO. 216151001

Rubn