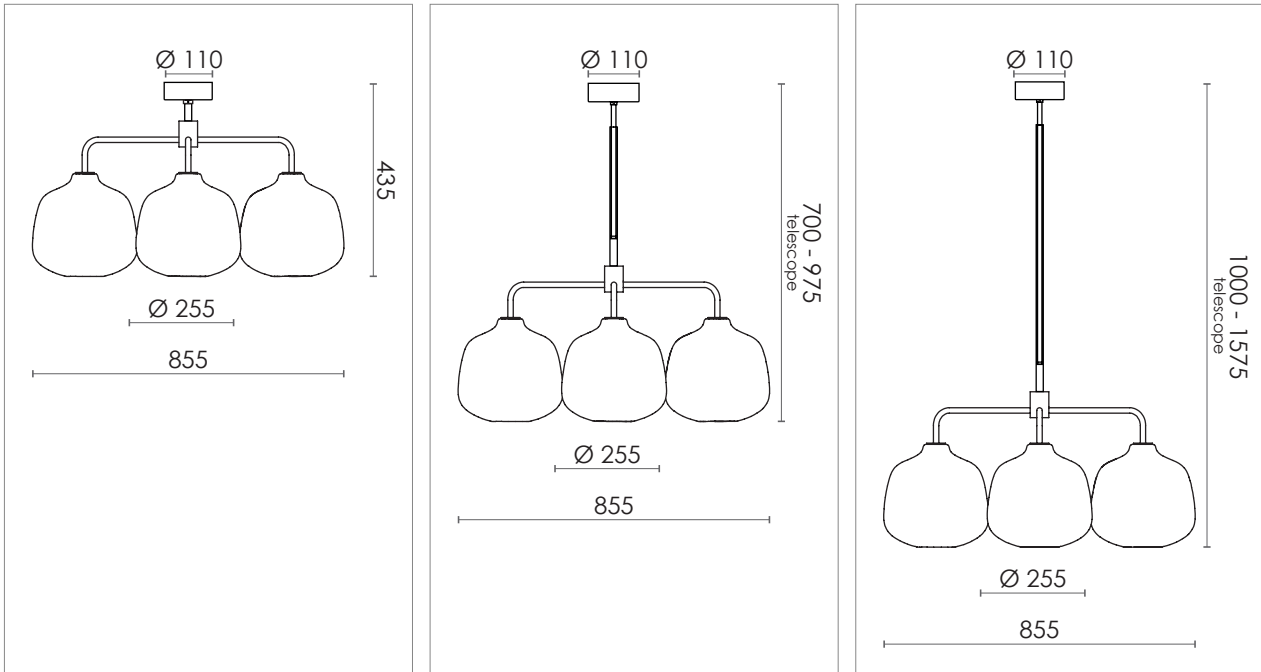


# HOLBORN 3 CHANDELIER





## DESIGN SPECIFICATIONS

<b>DIMENSIONS (mm)</b>	W 855 x H 435 W 855 x H 700-975 W 855 x H 1000-1575
<b>WEIGHT (kg)</b>	- / - / -
<b>MATERIALS</b>	THE LAMP IS MADE FROM CLEAR LACQURED BRASS OR STEEL AND GLASS.
<b>CORD (mm)</b>	NO
<b>ENVIRONMENT</b>	INDOOR
<b>DESIGN BY</b>	NICLAS HOFLIN
<b>DESIGN YEAR</b>	2016

## ELECTRICAL SPECIFICATIONS

<b>SWITCH</b>	NO
<b>BULB HOLDER</b>	E27
<b>LIGHT SOURCE</b>	INCLUDED 3 x 7 W LED DIMMABLE LED - 2700K
<b>DIMMABLE</b>	YES
<b>MAX (W)</b>	30 W LED
<b>VOLTAGE</b>	230 / 240
<b>CLASS</b>	1
<b>IP</b>	20

## COLOURS

	<b>BRASS / OPAL GLASS</b>	<b>H 435</b> ART.NO. 216131001	<b>H 700-975</b> ART.NO. 216132001	<b>H 1000-1575</b> ART.NO. 216133001
	<b>STEEL / OPAL GLASS</b>	<b>H 435</b> ART.NO. 216131500	<b>H 700-975</b> ART.NO. 216132500	<b>H 1000-1575</b> ART.NO. 216133500