

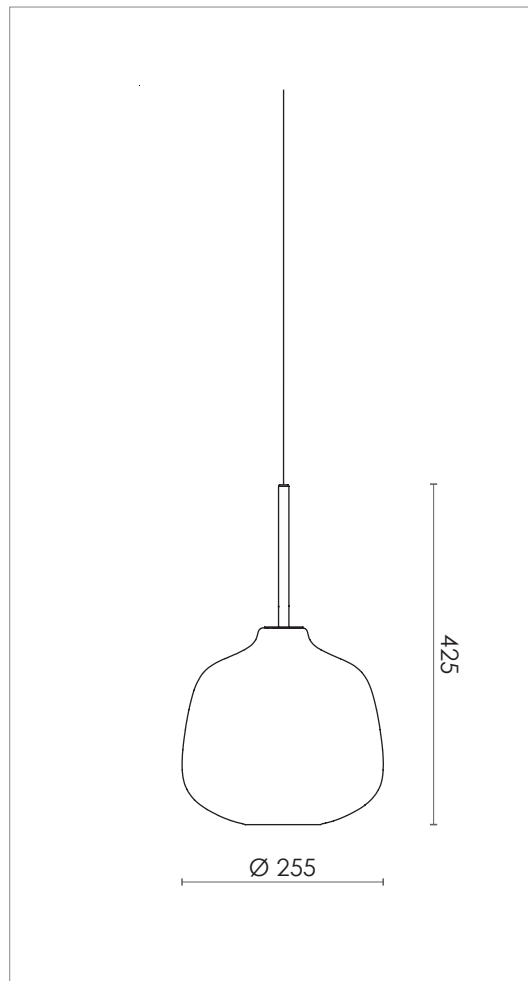
# HOLBORN 1 PENDANT

## DESIGN SPECIFICATIONS

<b>DIMENSIONS (mm)</b>	H 425 x Ø 255
<b>WEIGHT (kg)</b>	1,7
<b>MATERIALS</b>	THE LAMP IS MADE FROM GLASS AND CLEAR LACQURED BRASS OR STEEL.
<b>CORD (mm)</b>	BLACK TEXTILE - L 3750
<b>ENVIRONMENT</b>	INDOOR
<b>DESIGN BY</b>	NICLAS HOFLIN
<b>DESIGN YEAR</b>	2016

## ELECTRICAL SPECIFICATIONS

<b>SWITCH</b>	NO
<b>BULB HOLDER</b>	E27
<b>LIGHT SOURCE</b>	INCLUDED 7 W LED DIMMABLE - 2700 K
<b>DIMMABLE</b>	YES
<b>MAX (W)</b>	10 W LED
<b>VOLTAGE</b>	230 / 240
<b>CLASS</b>	1
<b>IP</b>	20



## COLOURS



**BRASS / OPAL GLASS**

ART.NO. 215531001



**STEEL / OPAL GLASS**

ART.NO. 215531500

Rubn.