

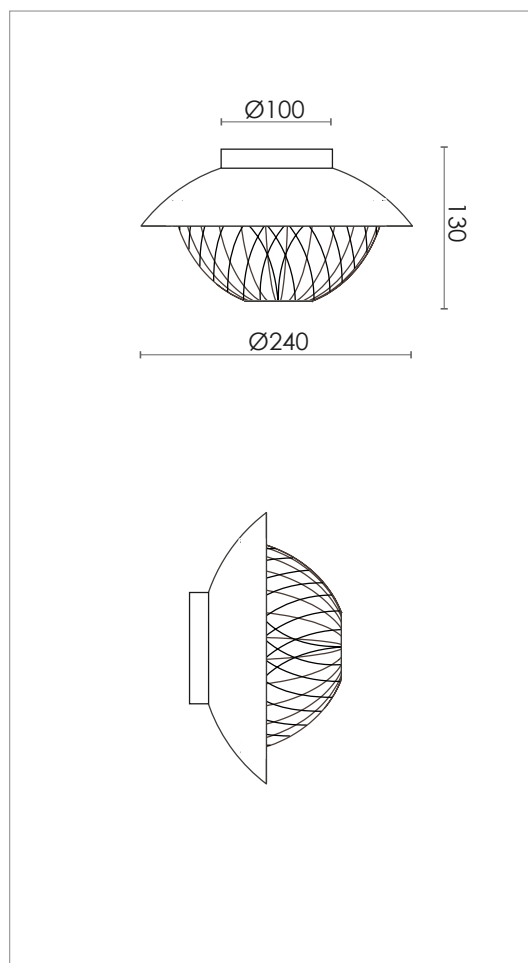
GRACE WALL / CEILING

DESIGN SPECIFICATIONS


DIMENSIONS (mm)	H 130 x W Ø240 BASE Ø100
WEIGHT (kg)	0,9
MATERIALS	THE LAMP IS MADE FROM CLEAR LACQURED BRASS, STEEL OR POWDER COATED STEEL AND CRYSTAL GLASS
CORD (mm)	NO
ENVIRONMENT	INDOOR
DESIGN BY	NICLAS HOFLIN
DESIGN YEAR	2019

ELECTRICAL SPECIFICATIONS

SWITCH	NO
BULB HOLDER	GX53
LIGHT SOURCE	INCLUDED DIMMABLE 6 W - 2700K
DIMMABLE	YES
MAX (W)	10 W LED (LED DRIVER INCL.)
VOLTAGE	230 / 240
CLASS	1
IP	20



COLOURS

	BLACK / CRYSTAL	ART.NO. 655250005
	BRASS / CRYSTAL	ART.NO. 655250001
	BRONZE- COLOR / CRYSTAL	ART.NO. 655250223
	STEEL / CRYSTAL	ART.NO. 655250500