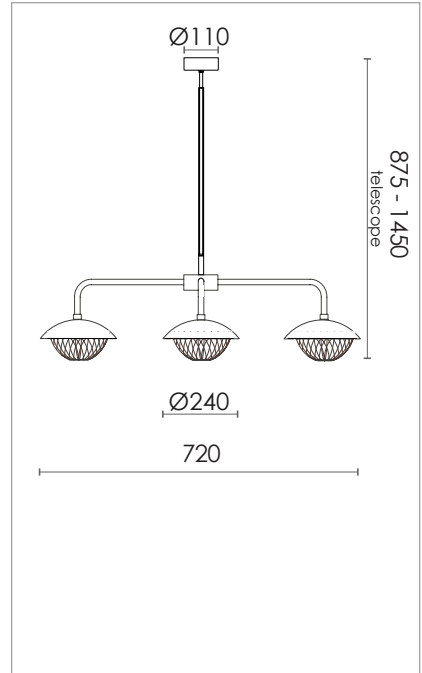
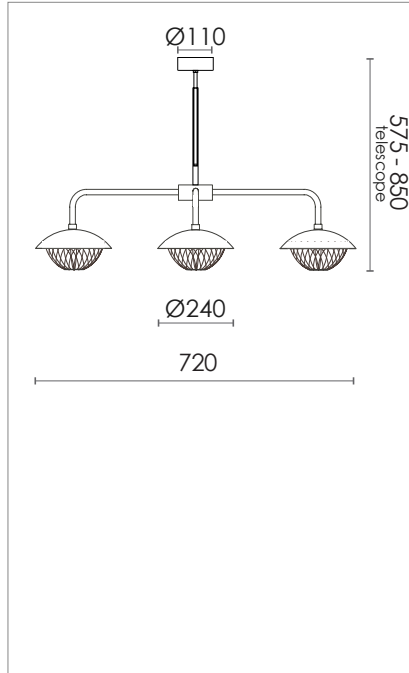
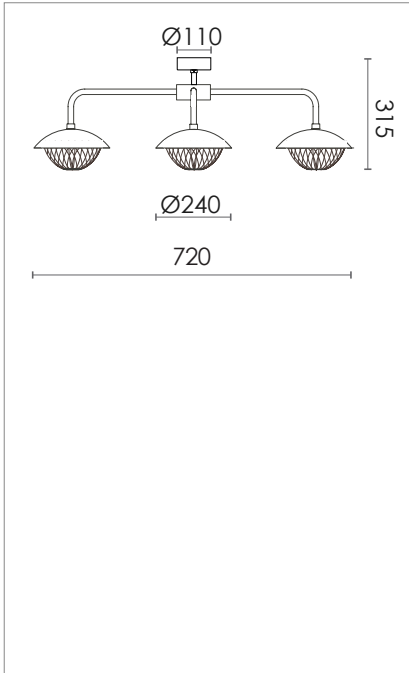


GRACE 3 CHANDELIER







DESIGN SPECIFICATIONS

DIMENSIONS (mm)	W 720 x H 315 W 720 x H 575-850 W 720 x H 875-1450
WEIGHT (kg)	- / - / -
MATERIALS	THE LAMP IS MADE FROM CLEAR LACQURED BRASS, STEEL OR POWDER COATED STEEL AND CRYSTAL GLASS
CORD (mm)	NO
ENVIRONMENT	INDOOR
DESIGN BY	NICLAS HOFLIN
DESIGN YEAR	2019

ELECTRICAL SPECIFICATIONS

SWITCH	NO
BULB HOLDER	GX53
LIGHT SOURCE	INCLUDED DIMMABLE 3 X 6 W - 2700K
DIMMABLE	YES
MAX (W)	27 W LED
VOLTAGE	230 / 240
CLASS	1
IP	20

COLOURS

	BLACK / CRYSTAL H 315 ART.NO. 655651005	H 575-850 ART.NO. 655652005	H 875-1450 ART.NO. 655653005
	BRASS / CRYSTAL H 315 ART.NO. 655651001	H 575-850 ART.NO. 655652001	H 875-1450 ART.NO. 655653001
	BRONZE-COLOR / CRYSTAL H 315 ART.NO. 655651223	H 575-850 ART.NO. 655652223	H 875-1450 ART.NO. 655653223
	STEEL / CRYSTAL H 315 ART.NO. 655651500	H 575-850 ART.NO. 655652500	H 875-1450 ART.NO. 655653500