

typology mirror/lamp

dimension 100[1] x 13[w] x 195[h] cm

materials vacuum-formed opaline PETG, mirror, LED or neon light system

colours acrylic white opaline
light pink

n.b. The Ultrafragola mirror has been designed by Ettore Sottsass Jr. in one colour only: light pink.

The shape, the size and the complexity of the lighting system, the brightness and the colour might be perceived slightly different, depending on the light, the type of picture, or the background and the surrounding environment.

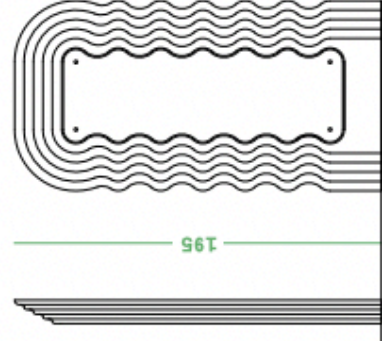
Any different colours or shades of colour are not compliant with the original projects, they are not authentic.

Poltronova is at your full disposal for any further information you may require.

13

100

195



Ultrafragola

