

Innocent

by Gio Tiroto

bookcase



description

material - finishing

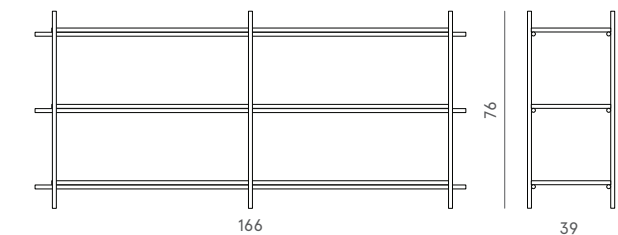
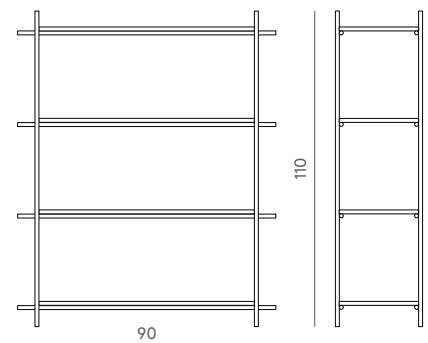
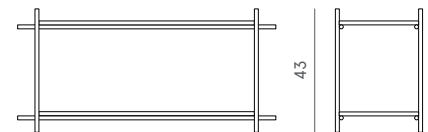
size

– The Innocent project is inspired by the industrial systems of metal joints and pipes, and emphasizes the relationship between the simplicity of shapes and Mingardo's craftsmanship excellence. The Innocent modular system consists of shelving tops in black painted oak, connected by a tubular black-colored structure. The system allows the creation of different furnishing elements, from low tables to consoles to bookcases of various heights.

RAL 9005 black varnished iron structure, shelf in black stained oak



L90 W39 H43
*single module
L90 W39 H110
L166 W39 H76



Category Furniture Collection

Gross weight 30 kg (single module) — 60 kg — 85 kg

Orders can be made on sq.m. 100 x 50 x h 55 cm — 100 x 50 x h 120 — 175 x 50 x h 80 cm