



NOÉ DUCHAUFOR LAWRENCE

BORGHESE

coffee table ●● 2013



A SOPHISTICATED TABLE

The Borgnese table, as the eponymous sofa, is inspired by the umbrella pines at the Villa Borgnese gardens in Rome.

The characteristic network of branches is translated as a graphic steel framework supporting a trio of solid wood tops.

The designer's preference for organic shapes readily translates as a standout modernist statement-piece. The tables can be combined to create a larger composition and adapt to any space.

Each leg is made of laser cut steel sheets. An artisan then bends each piece before he manually welds them together to create the intricate network of branches.

A thermal treatment is applied to the structure to create the rich and slightly grainy deep black finish.

All wooden surfaces are sanded to obtain a subtle 3 touch and visually strengthen the structure of the solid wood.



NOÉ DUCHAUFOR LAWRENCE



BORGHESE

Coffee table ●● 2014



MATERIALS & FINISHES

FINISHES

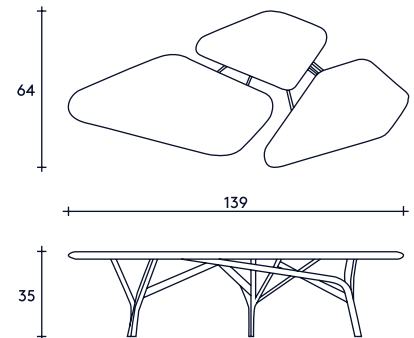
-  Black steel structure, mat natural wood top
-  Black steel structure, mat black stained wood top

MATERIALS

- Solid oak
- Textured steel structure

DIMENSIONS & WEIGHT

	BORGHESE	WITH PACKAGING
HEIGHT	35cm/13,8in.	45cm/17,7in.
WIDTH	139cm/54,7in.	143cm/56,3in.
DEPTH	64cm/25,2in.	70cm/27,6in.
WEIGHT	25kg/55lbs.	29kg/63lbs.



OTHER DETAILS

TECHNICAL INFORMATION	Delivery: in stock
PACKAGING	1 cardboardbox
MAINTENANCE	Always use a microfiber cloth and rub lightly. Never apply any solvents.



The designer

Noé Duchaufour Lawrance started his career as a sculptor and used all his gifts to create the Borghese Sofa. Noé is one of the most innovative and active designer of the last decade.

More of a sculptor than a designer, his trademark organic and natural shapes can be found in his furniture as well as in the spaces he designs worldwide.

Noé Duchaufour Lawrance has also drawn other projects for La chance : the short and the long version of the Borghese sofa.

La Chance

La Chance is a Paris based design company producing furniture, lighting, accessories, rugs and wallpaper with a strong and distinctive style.

La Chance gives a contemporary interpretation of the ornamental and decorative French furniture tradition rooted in the Art Deco period. The creations of La Chance share a sophisticated, rich and singular design based on noble materials. It is a come back to a warm and uninhibited luxury, breaking away from cold and conceptual design. La Chance produces investment pieces that will get a patina for the future generations to keep enjoying this contemporary family furniture.



La Chance

21, rue Michel le Comte 75003 Paris FRANCE
+33 (0) 9 72 31 12 74 info@lachance.paris
www.lachance.paris

© La Chance 2018