

---

## Basket Lounge Chair - Fully Upholstered

Designed by Joe Colombo - 1967

---



---

ITEM NUMBER

44167

DESCRIPTION

The name 'Basket' honors the classic hand-weaving technique used in rattan basketry. The collection comprises a three-seater sofa, a two-seater sofa, and a lounge chair, all of which share the same construction. Replacing the inner fiberglass shell that Colombo initially utilized, the core of each piece is now formed from a more environmentally responsible steel skeleton, which provides strength and stability to the unique form. This is covered with a hand-woven rattan skin, made from interlaced strips and oval stakes, a technique that demands a tremendous degree of skill and craftsmanship to create.

---

### Materials & Finishes

BASE FINISH

Polyurethane coated

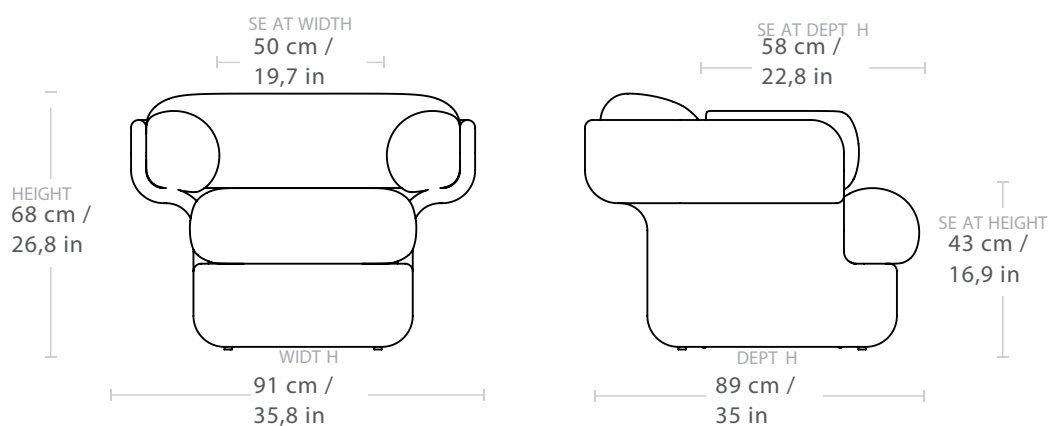


MATERIALS

Rattan, foam, wadding, fabric upholstery

---

## Dimensions



WIDTH	91 cm / 35,8 in
DEPTH	89 cm / 35 in
HEIGHT	68 cm / 26,8 in
SEAT WIDTH	50 cm / 19,7 in
SEAT DEPTH	58 cm / 22,8 in
SEAT HEIGHT	43 cm / 16,9 in
ARMREST HEIGHT	21 cm / 8,3 in

---

## Weight

TOTAL WEIGHT	23,5 kg / 51,8 lbs
--------------	--------------------

---

## Upholstery Consumption

### FABRIC

X 140 CM FABRIC WIDTH / X 55 IN FABRIC WIDTH

FULLY UPHOLSTERED	250 cm / 98,4 in
-------------------	------------------

---

Number of parcels	1
-------------------	---

PACKAGING LENGTH	104 cm / 40,9 in
------------------	------------------

PACKAGING WIDTH	97 cm / 38,2 in
PACKAGING HEIGHT	72 cm / 28,3 in
PACKAGING WEIGHT	5,8 kg / 16,5 lbs
GROSS WEIGHT	31 kg / 68,4 lbs

---

## Test & Certifications

TSCA	YES
CALIFORNIA TB 117	YES
BS 5852 (CRIB 5)	YES