

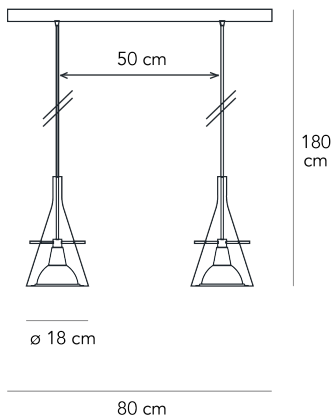


## FLÛTE MEDIUM

Franco Raggi, 1999

A glass cone holds the chromed aluminum reflector, supported by three slender metal rods. Equilibrium and lightness for this family of lamps available in floor and wall versions, for indirect light emission, and in a hanging version, for direct focused light.

Suspension lamp with direct light, phase cut dimmer. Two diffusers made of transparent borosilicate glass. Reflectors made of glossy chromed aluminium. Reflectors support made of chromed metal. Transparent power cable. Bright anodised aluminum raceway. Integrated led.



**MADE IN**  
IT

**ALIMENTATION CABLE**  
Transparent

**DIMMER**  
Dimmable

**CERTIFICATIONS**  
**CE** **IP20**

**COLOR**



**MATERIAL DESCRIPTION**  
glass, galvanized metal

**COLOR DESCRIPTION SKU**  
transparent, chrome

**GROUP TENSION**  
Integrated Led

**ENERGY CLASS**  
F

**LIGHT SOURCE**  
LED 2x10W (2700K, CRI 80, 1250Lm)

**SKU**  
F333785550TCLE