



Bond

DESIGNED BY MAIN

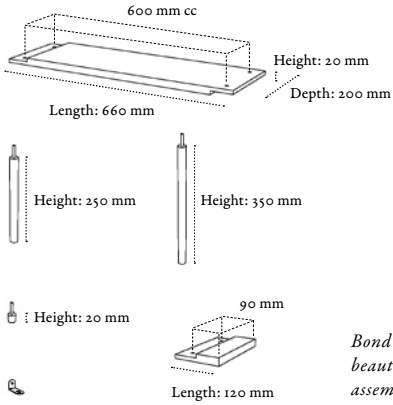
BOND answers the increasing demand for storage solutions which fit open-plan living and working, giving the user a flexible, durable and beautiful system which can be assembled in seconds without tools. The user is free to climb BOND over obstacles in its way, or work around existing interior architecture with ease.

BOND is Fogia's first modular shelving and storage system. A beautifully-crafted modular solution that can be wall-mounted, hung from the ceiling or stand strong on its own feet. BOND is available in walnut and oak, in four pre-configured sizes plus individual shelves, available separately.

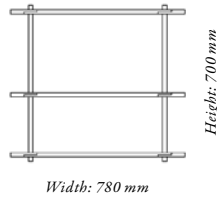


BOND requires no tools for assembly, just a finger and thumb. Experimenting with its form turns BOND's construction into a small piece of performance. Here's just a few renditions of how Bond can be pieced together.

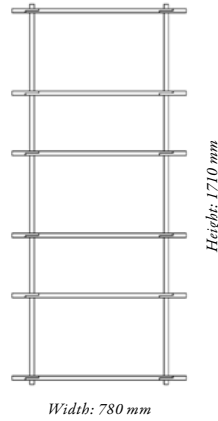
Bond parts



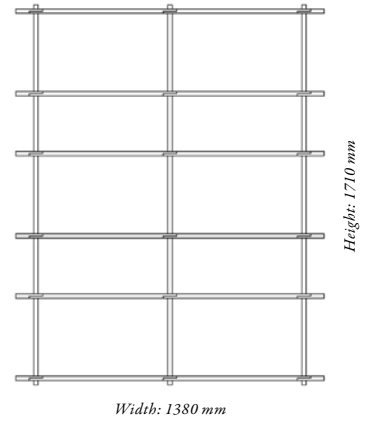
Bond W103 – Wall mount



Bond W106 – Wall mount

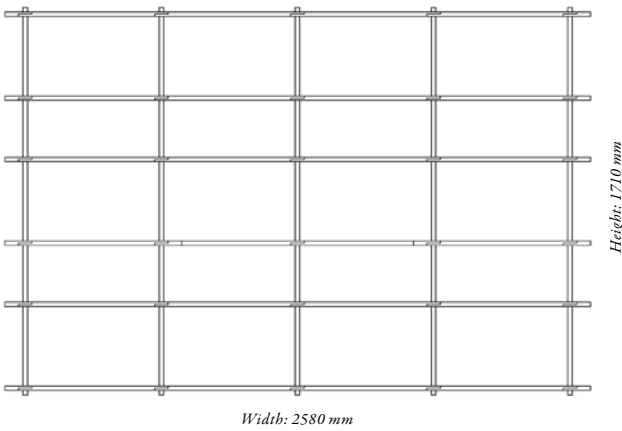


Bond W206 – Wall mount

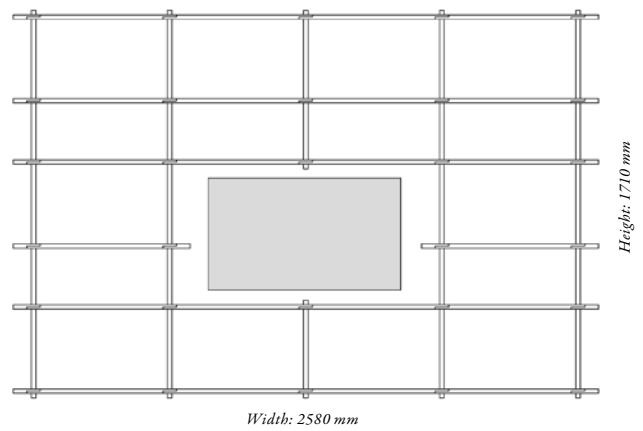


Bond is a flexible, durable and beautiful system which can be assembled in seconds without tools.

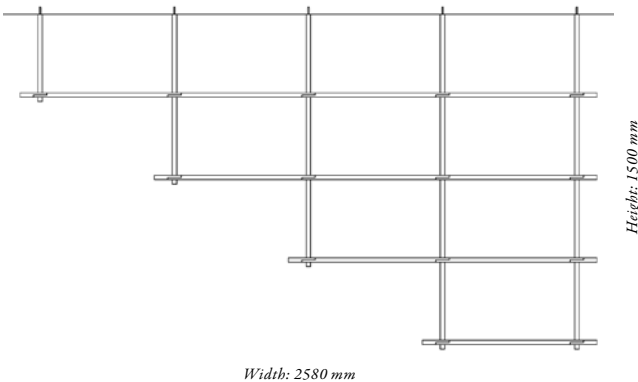
Bond W406 – Wall mount



Bond W406D – Wall mount



Bond FC4041 – Ceiling mount



Bond W405 – Wall mount

