

FLOS

F6260007A Fabric

Romeo Babe Soft Wall

Designed by Philippe Starck, 1996



Halogen - 40W

Wall sconce providing diffused lighting. Acid-etched pressed borosilicate glass internal diffuser. Plissé cloth shade. Gray painted die-cast aluminum diffuser and lamp support. Gray painted, injection-molded polycarbonate wall fitting and rose.

Are you a professional and your project needs consulting and support?

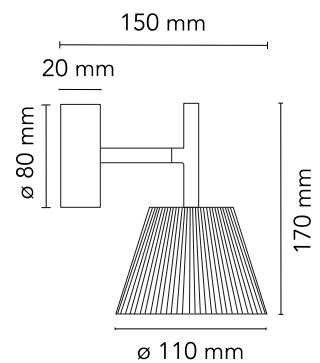
[BOOK AN APPOINTMENT](#)

Main specifications

EAN	8059607021620
Mounting	Wall
Environment	Indoor dry location
Light source type	Bulb
Lamp category	Halogen
Lamp holder	G9
Ilcos	HSGS
Number of heads	1
Power (W)	40

Physical

Colour	Fabric
Net weight (kg)	0.42
Package height (cm)	12
Package width (cm)	31
Package length (cm)	17
Package volume (m3)	0.01
IP	20
IP external	20



Download

[Mounting instructions](#)  PDF

[Spare Parts](#)  PDF

Photometric Files

[LDT / IES](#)  ZIP

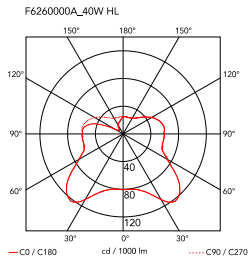
Technical Drawings

[2D](#)  ZIP

[3D](#)  ZIP



Schematic light drawing



Photometric

Lighting type	Indirect, Direct
Light distribution	Symmetric

Electrical

Insulation class	II
Frequency (Hz)	50/60
Main voltage (Vac)	220-250
Batteries inside	No
Charging min time	No

Bulbs



NOT INCLUDED

RF18863

Halogen Lamp G9 33W 2700K

HALOPIN Dimmable

Spare Parts



RF12715

W ceiling rose



RF16369

W base wall mount



RF18861

Ceramic G9 lamp holder



RF6120407

Soft new color diffuser assembly