

FLOS

■ F3308030 Black

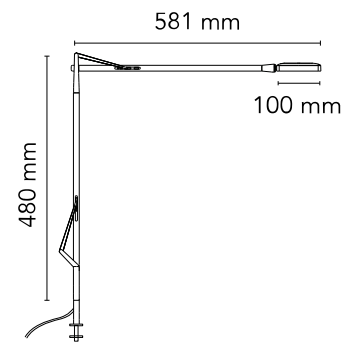
Kelvin Led Desk support (visible cable)

Designed by Antonio Citterio, 2009

8W - 285lm - 3000K



Adjustable table lamp providing direct lighting, with double pantograph arm and adjustable head. Fused aluminum alloy body. Die-cast aluminum outer head, with injection-molded methacrylate diffuser. Painted CNC machined extruded aluminum TABLE FITTING. Extruded aluminum alloy square tube (12x12mm) structure, machined mechanically, so that it houses a stainless steel load-compensation spring and injection-molded acetal resin sliding blocks. 3 mm diameter wire outer tie rods. Available in white, anthracite, black or chrome finishes. The ON/OFF switch is electronic with optical mechanism located in the head. Two possibilities to choose: - PERSONAL MODE (orange switch) Dim the light intensity you like. - GREEN MODE (green switch) Now Kelvin LED becomes Green, saving even more energy thanks to his automatic compensation of the ambience light.



Are you a professional and your project needs consulting and support?

[BOOK AN APPOINTMENT](#)

Main specifications

EAN	8059607003909
Mounting	Desk support with visible cable
Environment	Indoor dry location
Light source type	LED
LED type	LED Module
Lamp holder	LED Module
Number of heads	1
Power (W)	8
System flux (lm)	285

Physical

Colour	Black
Length (mm)	100
Cord length (mm)	1800
Net weight (kg)	0.67
Package volume (m3)	0.02
IP	20
IP external	20

Download

Mounting instructions	↓ PDF
Mounting instructions	↓ PDF
Mounting instructions	↓ PDF
Spare Parts	↓ PDF

Photometric Files

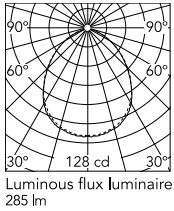
LDT / IES	↓ LDT
-----------	-----------------------

Technical Drawings

2D	↓ ZIP
3D	↓ ZIP



Schematic light drawing



Photometric

Lighting type	Direct
Light distribution	Symmetric
CCT (K)	3000

Electrical

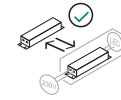
Insulation class	III
Frequency (Hz)	50/60
Main voltage (Vac)	100-240/24
Driver	Remote included
Dimming type	Electronic 12V
Cord length (mm)	1800
Plug type	Type G, Type A, Type C
Batteries inside	No
Charging min time	No

Ecodesign and Energy Labelling

This product contains a light source of energy efficiency class F



Replaceable (LED only) light source by a professional



Replaceable control gear by an end-user

Spare Parts



F3312030A

Kelvin led gm black body



RF18764

Black insert for lamp base



RF3320100

Black plug assembly kit & 24V driver