

# FLOS

F3452033 Titanium

## Kelvin Edge Base

Designed by Antonio Citterio, 2015

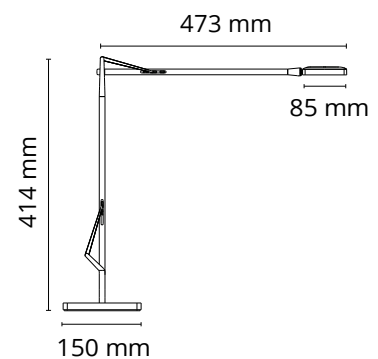
7W - 306lm - 2700-3200K - CRI > 90



Adjustable table lamp providing direct light. Aluminium painted or chromed body, with die cast head, joints and forks, and extruded arms. Diffuser in photoengraved polycarbonate and aluminate on the perimeter. Edge Lighting technology light source. Optical switch sensor placed on the head that provide 3-step dimming function and color temperature adjustment at 2700K or 3200K. Power cord length 150 cm. Plug-in power supply with interchangeable plugs.

Are you a professional and your project needs consulting and support?

[BOOK AN APPOINTMENT](#)



### Main specifications

EAN	8059607004593
Mounting	Table
Environment	Indoor dry location
Light source type	LED
LED type	LED Module
Lamp holder	LED Module
Number of heads	1
Power (W)	7
System flux (lm)	306

### Physical

Colour	Titanium
Net weight (kg)	3.9
Package volume (m3)	0.02
IP	20
IP external	20

### Download

Mounting instructions	<a href="#">↓ PDF</a>
Mounting instructions	<a href="#">↓ PDF</a>
Mounting instructions	<a href="#">↓ PDF</a>
Spare Parts	<a href="#">↓ PDF</a>

### Photometric Files

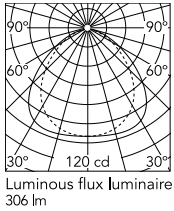
LDT / IES	<a href="#">↓ LDT</a>
-----------	-----------------------

### Technical Drawings

2D	<a href="#">↓ ZIP</a>
----	-----------------------



## Schematic light drawing



## Photometric

Lighting type	Direct
Light distribution	Symmetric
CCT (K)	2700-3200
CRI >	90

## Electrical

Insulation class	III
Frequency (Hz)	50/60
Main voltage (Vac)	100-240/24
Driver	Remote included
Dimming type	Electronic 12V
Plug type	Type G, Type A, Type C
Batteries inside	No
Charging min time	No

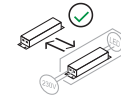
## Ecodesign and Energy

### Labelling

This product contains a light source of energy efficiency class E



Replaceable (LED only)  
light source by a  
professional



Replaceable control  
gear by an end-user

## Spare Parts



F3450033

Kelvin edge titanium body



F3451033

Kelvin edge titanium base



RF3320100

Black plug assembly kit & 24V driver