

FLOS

■ F3179030 Black

IC Lights Ceiling/Wall 2

Designed by Michael Anastassiades, 2014



Halogen - 205W

Wall-ceiling lamp providing diffused light. Frame in brass, brushed and transparent varnished or chrome steel. Blown glass opal diffuser.

Are you a professional and your project needs consulting and support?

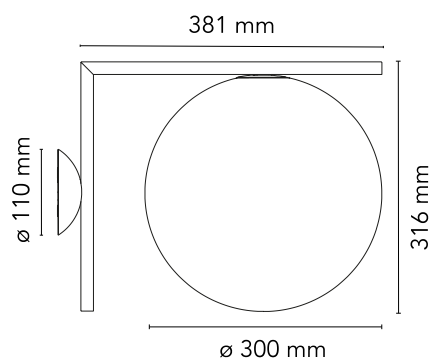
[BOOK AN APPOINTMENT](#)

Main specifications

EAN	8059607003589
Mounting	Ceiling and wall surface
Environment	Indoor dry location
Light source type	Bulb
Lamp category	Halogen
Lamp holder	E27
Ilcos	HSGS
Number of heads	1
Power (W)	205

Physical

Colour	Black
Net weight (kg)	2.7
Package volume (m3)	0.08
IP	20
IP external	20



Download

[Mounting instructions](#) PDF

[Spare Parts](#) PDF

Photometric Files

[LDT / IES](#) LDT

Technical Drawings

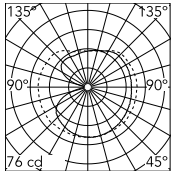
[2D](#) ZIP

[3D](#) ZIP



IK	IP
05	20

Schematic light drawing



Luminous flux luminaire
1252 lm

The above drawing is for
illustrative purposes only and
refers to product code:
F31790WIC_CW2_13W-LED

Photometric

Lighting type	Total
Light distribution	Asymmetric

Electrical

Insulation class	I
Frequency (Hz)	50/60
Main voltage (Vac)	220-250
Batteries inside	No
Charging min time	No

Bulbs



NOT INCLUDED

RF26259

LED Lamp 18W E27 2700K
Dimmable



NOT INCLUDED

RF26258

LED Lamp 18W E27 3000K T38
Dimmable



NOT INCLUDED

RF32288

LED Lamp E27 15W 2700K T38



NOT INCLUDED

RF32289

LED Lamp E27 15W 3000K T38

Spare Parts



RF3160100

Kit with screws and allen key



F3137030A

IC Lights 2 diffuser for black version