

FLOS

■ F3178030 Black

IC Lights Ceiling/Wall 1

Designed by Michael Anastassiades, 2014



Halogen - 60W

Wall-ceiling lamp providing diffused light. Frame in brass, brushed and transparent varnished or chrome steel. Blown glass opal diffuser.

Are you a professional and your project needs consulting and support?

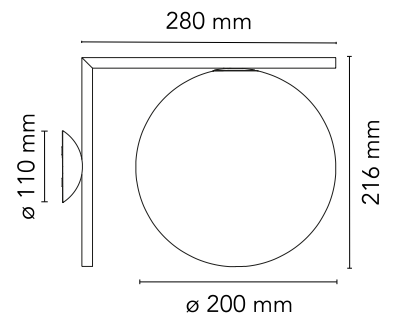
[BOOK AN APPOINTMENT](#)

Main specifications

EAN	8059607003497
Mounting	Ceiling and wall surface
Environment	Indoor dry location
Light source type	Bulb
Lamp category	Halogen
Lamp holder	E14
Ilcos	HSGS
Number of heads	1
Power (W)	60

Physical

Colour	Black
Net weight (kg)	1.85
Package volume (m3)	0.04
IP	20
IP external	20



Download

[Mounting instructions](#) PDF

[Spare Parts](#) PDF

Photometric Files

[LDT / IES](#) LDT

Technical Drawings

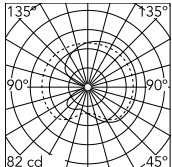
[2D](#) ZIP

[3D](#) ZIP



IK	IP
07	20

Schematic light drawing



Luminous flux luminaire
689 lm

The above drawing is for
illustrative purposes only and
refers to product code:
F31780WIC_CW1_8W-LED

Photometric

Lighting type	Total
Light distribution	Asymmetric

Electrical

Insulation class	I
Frequency (Hz)	50/60
Main voltage (Vac)	220-250
Batteries inside	No
Charging min time	No

Bulbs



NOT INCLUDED

RF32290

LED Lamp E14 8W 2700K T28



NOT INCLUDED

RF32291

LED Lamp E14 8W 3000K T28



NOT INCLUDED

RF32767

LED Lamp 9W E14 220-240V
2700K T28



NOT INCLUDED

RF32768

LED Lamp 9W E14 220-240V
3000K T28

Spare Parts



RF3160100

Kit with screws and allen key



F3136030A

IC Lights 1 diffuser for black version