

# FLOS

F3026000 White

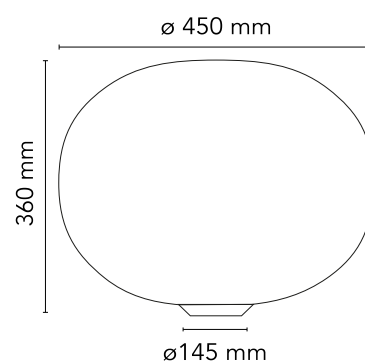
## Glo-Ball Basic 2

Designed by Jasper Morrison, 1998



Halogen - 150W

Table/desk lamp providing diffused light. Diffuser consisting of an externally acidetched, hand blown, flashed opaline glass and a die-cast aluminum threaded ring nut with alodine plating finish. 30% fiberglass reinforced injection-molded polyamide base. Gray painted, die-cast aluminum diffuser support. On the cable there is the electronic dimmer which allows the regulation of light brightness.



Are you a professional and your project needs consulting and support?

[BOOK AN APPOINTMENT](#)

### Main specifications

EAN	8059607002414
Mounting	Table
Environment	Indoor dry location
Light source type	Bulb
Lamp category	Halogen
Lamp holder	E27
Iicos	HSGS
Number of heads	1
Power (W)	150

### Physical

Colour	White
Cord length (mm)	1900
Net weight (kg)	4.02
Package volume (m3)	0.13
IP	20
IP external	20

### Download

[Mounting instructions](#)  PDF

[Spare Parts](#)  PDF

### Photometric Files

[LDT / IES](#)  LDT

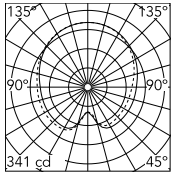
### Technical Drawings

[2D](#)  ZIP

[3D](#)  ZIP



## Schematic light drawing



Luminous flux luminaire  
4210 lm

The above drawing is for illustrative purposes only and refers to product code:  
F3026000WGLO-BALL\_BASIC\_2\_250W-HL

### Photometric

Lighting type	Total
Light distribution	Roto symmetric

### Electrical

Insulation class	II
Frequency (Hz)	50/60
Main voltage (Vac)	220-240
Cord length (mm)	1900
Plug type	Type C
Batteries inside	No
Charging min time	No

# Bulbs



NOT INCLUDED

RF26259

LED Lamp 18W E27 2700K  
Dimmable



NOT INCLUDED

RF26258

LED Lamp 18W E27 3000K T38  
Dimmable



NOT INCLUDED

RF32288

LED Lamp E27 15W 2700K T38



NOT INCLUDED

RF32289

LED Lamp E27 15W 3000K T38

## Spare Parts



F3055061

Glo-Ball 2 opal diffuser. Grey Base



RF2500200

New version lamp holder