

FLOS

F3021000 White

Glo-Ball Basic 1

Designed by Jasper Morrison, 1998

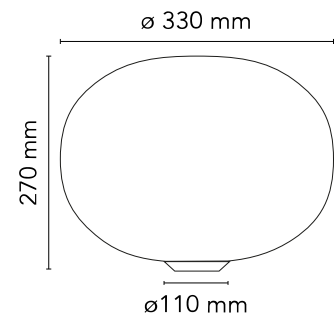


Halogen - 150W

Table/desk lamp providing diffused light. Diffuser consisting of an externally acidetched, hand blown, flashed opaline glass and a die-cast aluminum threaded ring nut with alodine plating finish. 30% fiberglass reinforced injection-molded polyamide base. Gray painted, die-cast aluminum diffuser support. On the cable there is the electronic dimmer which allows the regulation of light brightness.

Are you a professional and your project needs consulting and support?

[BOOK AN APPOINTMENT](#)




Main specifications

EAN	8059607002346
Mounting	Table
Environment	Indoor dry location
Light source type	Bulb
Lamp category	Halogen
Lamp holder	E27
Iicos	HSGS
Number of heads	1
Power (W)	150

Physical

Colour	White
Cord length (mm)	1900
Net weight (kg)	2.61
Package volume (m3)	0.07
IP	20
IP external	20

Download

[Mounting instructions](#)  PDF

[Spare Parts](#)  PDF

Photometric Files

[LDT / IES](#)  LDT

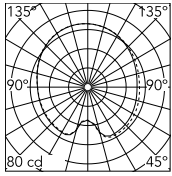
Technical Drawings

[2D](#)  ZIP

[3D](#)  ZIP



Schematic light drawing



Luminous flux luminaire
2400 lm

The above drawing is for illustrative purposes only and refers to product code:
F3021000WGLO-
BALL_BASIC_1_150W-HL

Photometric

Lighting type	Total
Light distribution	Symmetric

Electrical

Insulation class	II
Frequency (Hz)	50/60
Main voltage (Vac)	220-240
Cord length (mm)	1900
Plug type	Type C
Batteries inside	No
Charging min time	No

Bulbs



NOT INCLUDED

RF32288

LED Lamp E27 15W 2700K T38



NOT INCLUDED

RF32289

LED Lamp E27 15W 3000K T38

Spare Parts



F3050061

Glo-Ball 1 opal diffuser. Grey Base



RF2500200

New version lamp holder