

# FLOS

F3028000 White

## Glo-Ball Ceiling 2

Designed by Jasper Morrison, 1999

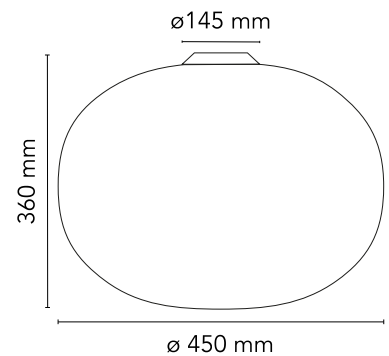


Halogen - 250W

Ceiling mounted lamp providing diffused light. Diffuser consisting of an externally acidetched, hand blown, flashed opaline glass and of a die-cast aluminum threaded ring nut with alodine plating finish. 30% fiberglass reinforced injection-molded polyamide ceiling fitting; gray painted die-cast aluminum diffuser support.

Are you a professional and your project needs consulting and support?

[BOOK AN APPOINTMENT](#)




### Main specifications

EAN	8059607002469
Mounting	Ceiling
Environment	Indoor dry location
Light source type	Bulb
Lamp category	Halogen
Lamp holder	E27
Ilcos	HSGS
Number of heads	1
Power (W)	250

### Physical


Colour	White
Net weight (kg)	3.77
Package volume (m3)	0.13
IP	40
IP external	40

### Download


[Mounting instructions](#)  PDF

[Spare Parts](#)  PDF

### Photometric Files

[LDT / IES](#)  LDT

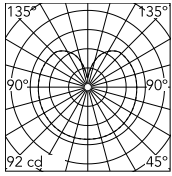
### Technical Drawings

[2D](#)  ZIP

[3D](#)  ZIP



## Schematic light drawing



Luminous flux luminaire  
1252 lm

The above drawing is for illustrative purposes only and refers to product code: F3026000WGLO-BALL\_C2\_13W-LED

### Photometric

Lighting type	Total
Light distribution	Roto symmetric

### Electrical

Insulation class	II
Frequency (Hz)	50/60
Main voltage (Vac)	220-250
Batteries inside	No
Charging min time	No

# Bulbs



NOT INCLUDED

RF26259

LED Lamp 18W E27 2700K  
Dimmable



NOT INCLUDED

RF26258

LED Lamp 18W E27 3000K T38  
Dimmable



NOT INCLUDED

RF32288

LED Lamp E27 15W 2700K T38



NOT INCLUDED

RF32289

LED Lamp E27 15W 3000K T38

## Spare Parts



F3055061

Glo-Ball 2 opal diffuser. Grey Base



RF2500200

New version lamp holder