

FLOS

F1842044 Anodized Champagne

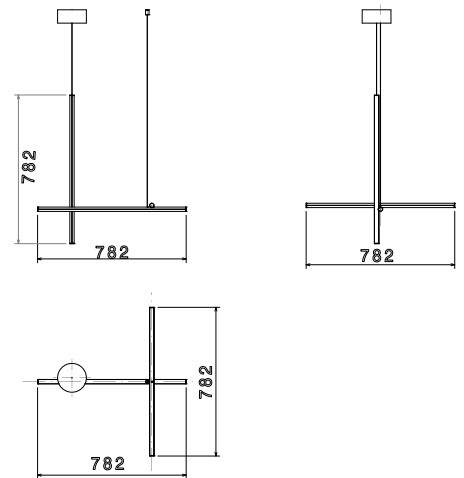


Coordinates Suspension 1 CLIII

Designed by Michael Anastassiades, 2020

32W - 1920lm - 2700K - CRI > 95

Coordinates is a lighting system with diffuse light composed of horizontal and vertical luminaires arranged in a bright grid of various shapes and complexities. Each element is made of extruded anodized aluminium with a champagne finish and a diffuser in platinum optical silicone with an integrated LED strip (CRI 95). Each element is powered and supported by an invisible electrical and mechanical connection designed specifically to allow for the composition of the 4 hanging models (S1, S2, S3, S4) with 2.4-m cables. The 'S Module' is also available. Its geometry was designed to be repeated to create large grids for custom installations. Each Coordinates configuration includes its own ceiling rose, whose integrated electronics allow for the use of different dimmer systems: push, 1-10, DALI. In the absence of these systems, the amount of light can be set during installation with the push system included in the rose. The related CI III version is also available for each configuration for installations with a remote power supply.



Are you a professional and your project needs consulting and support?

[BOOK AN APPOINTMENT](#)


Main specifications

EAN	8059607032589
Mounting	Suspension
Environment	Indoor dry location
Light source type	LED
LED type	LED Module
Lamp holder	LED Module
Power (W)	32
Source flux (lm)	1920lm
System flux (lm)	1920

Physical

Colour	Anodized Champagne
Length (mm)	782
Cord length (mm)	2400
Net weight (kg)	1.2
Package volume (m3)	0.02
IP	20
IP external	20

Download

[Mounting instructions](#)  PDF

Photometric Files

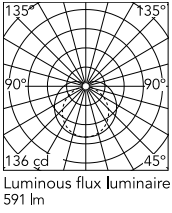
[ULD](#)  ZIP

Technical Drawings

[3D](#)  ZIP



Schematic light drawing



Photometric

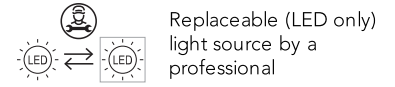
Lighting type	Total
Light distribution	Asymmetric
CCT (K)	2700
CRI>	95

Electrical

Insulation class	III
Main voltage (Vac)	48
Cord length (mm)	2400
Batteries inside	No

Ecodesign and Energy Labelling

This product contains a light source of energy efficiency class F



Accessories & Power Supply



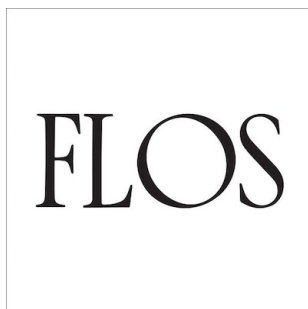
OPTIONAL

RF26994

DIMMER LED 12-48V

2AMDI511VPVRDS-1 UL NECTO

GR.



OPTIONAL

RF29208

AL.EL.100-240Vac 48V 1.7A 80W

MW HLG-80H-48A