

# FLOS

F1811033 Argent

## Coordinates Wall 2

Designed by Michael Anastassiades, 2020

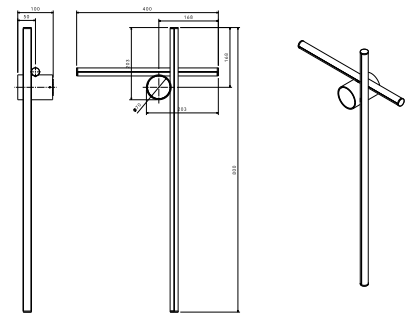


2 x 24W - 2 x 1402lm - 2700K - CRI > 90

Wall-mounted diffuse lighting device composed of a horizontal bar (model Wall 1) or vertical and horizontal bar (model W2). Each bar is composed of: extruded and processed aluminium body anodized in a champagne or argent colour; diffuser in platinum optical silicone; integrated LED strip (CRI 90). Each model comes with its own rose, whose integrated electronics use only the TRIAC dimmer system.

Are you a professional and your project needs consulting and support?

[BOOK AN APPOINTMENT](#)



### Main specifications

EAN	8059607035313
Mounting	Wall
Environment	Indoor dry location
Light source type	LED
LED type	LED Module
Lamp holder	LED Module
Number of heads	2
Power (W)	24
System power (W)	24
System flux (lm)	1402

### Physical

Colour	Argent
Length (mm)	800
Net weight (kg)	1
Package volume (m3)	0.07
IP	20
IP external	20

### Download

- [Mounting instructions](#) PDF
- [Compatible dimmers](#) PDF

### Photometric Files

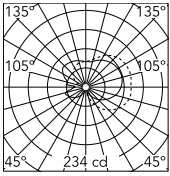
- [ULD](#) ZIP
- [LDT / IES](#) LDT

### Technical Drawings

- [3D](#) ZIP



## Schematic light drawing



Luminous flux luminaire  
1402 lm

The above drawing is for illustrative purposes only and refers to product code: F18110XXWCOORDINATES-W2\_24W-LED

## Photometric

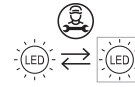
Lighting type	Total
Light distribution	Asymmetric
CCT (K)	2700
CRI >	90

## Electrical

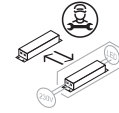
Insulation class	I
Frequency (Hz)	50/60
Main voltage (Vac)	230
Driver	Integrated
Dimming type	Mains Cut Dimming
Batteries inside	No

## Ecodesign and Energy Labelling

This product contains a light source of energy efficiency class F



Replaceable (LED only) light source by a professional



Replaceable control gear by a professional