

FLOS

F1832044 Anodized Champagne

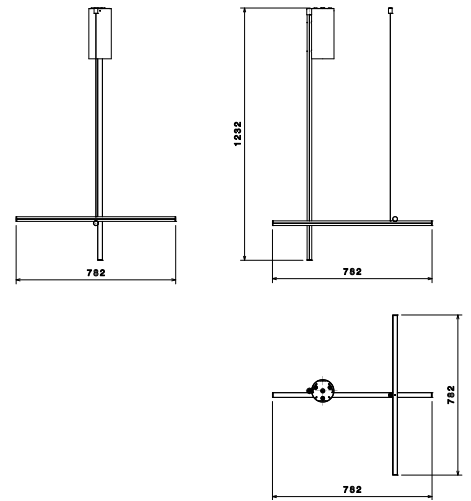
Coordinates Ceiling 1 CLIII

Designed by Michael Anastassiades, 2020



38W - 2270lm - 2700K - CRI > 90

Coordinates is a lighting system with diffuse light composed of horizontal and vertical luminaires arranged in a bright grid of various shapes and complexities. Each element is made of extruded anodized aluminium with a champagne finish and a diffuser in platinum optical silicone with an integrated LED strip (CRI 95). Each element is powered and supported by an invisible electrical and mechanical connection designed specifically to allow for the composition of the 3 ceiling models (C1 – C2 – C4), which may be combined with the respective Long versions for the highest ceilings (C1 Long, C2 Long, C4 Long). The 'C Module' is also available. Its geometry was designed to be repeated to create large grids for custom installations. Each Coordinates configuration includes its own ceiling rose, whose integrated electronics allow for the use of different dimmer systems: push, 1-10, DALI. In the absence of these systems, the amount of light can be set during installation with the push system included in the rose. The related CI III version is also available for each configuration for installations with a remote power supply.



Are you a professional and your project needs consulting and support?

[BOOK AN APPOINTMENT](#)


Main specifications

EAN	8059607033166
Mounting	Ceiling
Environment	Indoor dry location
Light source type	LED
LED type	LED Module
Lamp holder	LED Module
Power (W)	38
Source flux (lm)	2270lm
System flux (lm)	2270

Physical

Colour	Anodized Champagne
Length (mm)	782
Net weight (kg)	1.4
Package volume (m ³)	0.02
IP	20
IP external	20

Download

[Mounting instructions](#)  PDF

Photometric Files

[ULD](#)  ZIP

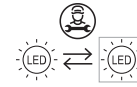
Technical Drawings

[3D](#)  ZIP



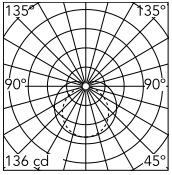
Ecodesign and Energy Labelling

This product contains a light source of energy efficiency class F



Replaceable (LED only) light source by a professional

Schematic light drawing



Luminous flux luminaire
591 lm

The above drawing is for illustrative purposes only and refers to product code:
ASS_ASTA_COORDINATES_780_10,6W_LED

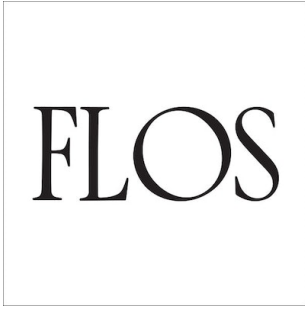
Photometric

Lighting type	Total
Light distribution	Asymmetric
CCT (K)	2700
CRI>	90

Electrical

Insulation class	III
Main voltage (Vac)	48
Batteries inside	No

Accessories & Power Supply



OPTIONAL

RF26994

DIMMER LED 12-48V
2AMDI511VPVRDS-1 UL NECTO
GR.



OPTIONAL

RF29208

AL.EL.100-240Vac 48V 1.7A 80W
MW HLG-80H-48A