

FLOS

■ F1634039 Moss Green

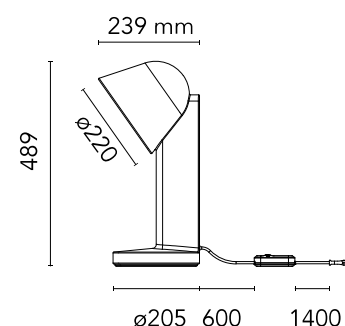
C ramique Down

Designed by Ronan Bouroullec, 2023



LED retrofit

The «C ramique» lamp collection was designed by Ronan Bouroullec for Flos. This lamp is the pure expression of a material, a union of the hands of a designer that can create visual poetry and the «savoir-fair» of a company that can translate it into an object. The lamp's iconic ceramic body features a lead-free lacquered crystalline finish that complements its handcrafted surface. White diffuser made of polycarbonate. C ramique combines elegance and craftsmanship with versatile lighting. With a durable design and attention to detail, this collection enhances the beauty of ceramics and promotes energy efficiency. Available colors: Moss Green, Navy Blue and Rust Red.



Are you a professional and your project needs consulting and support?

[BOOK AN APPOINTMENT](#)

Main specifications

EAN	8059607061886
Mounting	Table
Environments	Indoor dry location
Light Source Type	Bulb
Lamp category	LED retrofit
Lamp type	A60
Lamp holders	E27

Physical

Colour	Moss Green
Length (mm)	195
Cord length (mm)	2000
Net weight (kg)	3.5
Package height (mm)	715
Package width (mm)	370
Package length (mm)	370
Package volume (m3)	0.1

Download

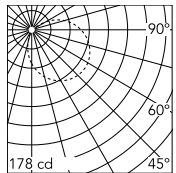
Mounting instructions [↓ PDF](#)

Photometric Files

LDT / IES [↓ LDT](#)



Schematic light drawing



Beam Angle: 110°

h(m)	E(lx)	D(m)
1	175	2.83
2	44	5.66
3	19	8.49
4	11	11.33
5	7	14.16

Luminous flux Luminaire
974 lm

Photometric

Light distribution

Asymmetric

Electrical

Insulation class

II

Frequency (Hz)

50/60

Main voltage (Vac)

220-240

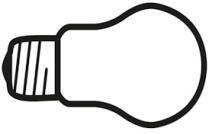
Dimmable

Yes

Dimming interface

Dimmer Integrated

Bulbs



NOT INCLUDED

RF25317

LED Opal Lamp E27 8W 3000K
A60 Dimmable



NOT INCLUDED

RF25323

LED Opal Lamp E27 8W 2700K
A60 Dimmable