

# FLOS

F3190009 White

## Button HL

Designed by Piero Lissoni, 2004

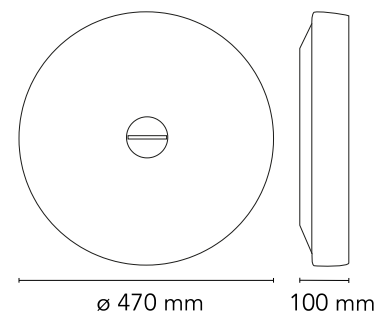


Halogen - 5 x 40W

Wall/ceiling fixture providing diffused lighting for indoor use. Hand-blown opal ply glass diffuser (transparent  $\boxtimes$  opal  $\boxtimes$  transparent) with acid finish. Sheared, deep-drawn steel sheet wall/ceiling attachment with white galvanized finish. Sheared, deep-drawn steel sheet reflector painted white for high temperatures. Closing cover in injection molded tecnopolymer with chrome finish. Satin-finish incandescent line voltage halogen lamps.

Are you a professional and your project needs consulting and support?

[BOOK AN APPOINTMENT](#)




### Main specifications

EAN	8059607018866
Mounting	Ceiling and wall surface
Environment	Indoor dry location
Light source type	Bulb
Lamp category	Halogen
Lamp holder	G9
Ilcos	HSGS
Number of heads	5
Power (W)	40

### Physical

Colour	White
Net weight (kg)	7
Package height (cm)	18
Package width (cm)	56
Package length (cm)	56
Package volume (m3)	0.05
IP	40
IP external	40

### Download

[Mounting instructions](#)  PDF

[Spare Parts](#)  PDF

### Photometric Files

[LDT / IES](#)  ZIP

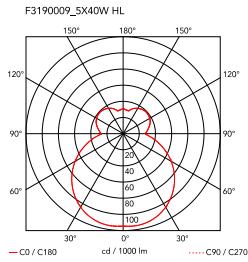
### Technical Drawings

[2D](#)  ZIP

[3D](#)  ZIP



## Schematic light drawing



### Photometric

Lighting type	Total
Light distribution	Roto symmetric

### Electrical

Insulation class	I
Frequency (Hz)	50/60
Main voltage (Vac)	220-250
Batteries inside	No
Charging min time	No

# Bulbs



NOT INCLUDED

RF26520

LED Lamp 2W 240lm G9 220-240  
2700K T13 Non Dimmable



NOT INCLUDED

RF28425

LED BiPin Lamp G9 3W 2700K  
Non Dimmable

## Spare Parts



RF3190100

Chrome locking cap assembly



RF3190200

non c'e - BUTTON HL (PER  
VECCHIA VERSIONE NON  
COMPATIBILE CON QUELLE  
ATTUALI)



RF3190300

Opal glass diffuser for new  
version