

FLOS

 F1080075 Brick Red

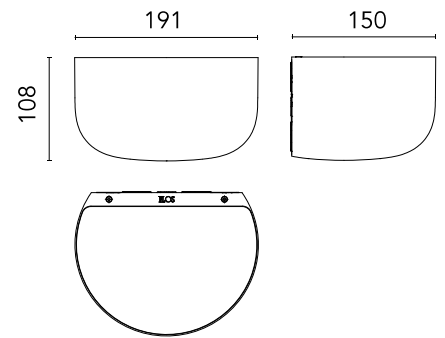
Bellhop Wall Up

Designed by Edward Barber and Jay Osgerby, 2022



17W - 1314lm - 2700K - CRI> 90

Designed by Edward Barber and Jay Osgerby Indirect light wall lamp. Body in colored polycarbonate. Diffuser made of semi-transparent injection-moulded polycarbonate. The surface of the diffuser has been designed with a special texture to enhance the uniformity of the light distribution. High efficiency LED source with a lifetime of more than 50.000 hours. The LED source can be easily replaced on site by a professional installer when it comes to the end of its lifecycle. Bellhop Wall Up is a future-proof lamp as no glue is used to assemble its different parts. The product can therefore be separated, replaced individually, and recycled separately.



Are you a professional and your project needs consulting and support?

[BOOK AN APPOINTMENT](#)

Main specifications

EAN	8059607047835
Mounting	Wall
Environments	Indoor Outdoor damp location
Light Source Type	LED
LED type	LED Module
Power (W)	17
System power (W)	17
System flux (lm)	1314

Physical

Colour	Brick Red
Length (mm)	150
Net weight (kg)	1.2
Package height (mm)	154
Package width (mm)	225
Package length (mm)	272
Package volume (m3)	0.01
IP internal	44

Download

Mounting instructions	↓ PDF
Compatible dimmers	↓ PDF
Spare Parts	↓ PDF

Photometric Files

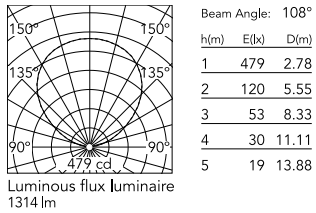
LDT / IES	↓ ZIP
-----------	-----------------------

Technical Drawings

2D	↓ DWG
3D	↓ ZIP



Schematic light drawing



Ecodesign and Energy Labelling

This product contains a light source of energy efficiency class **G**



Replaceable (LED only)
light source by a
professional

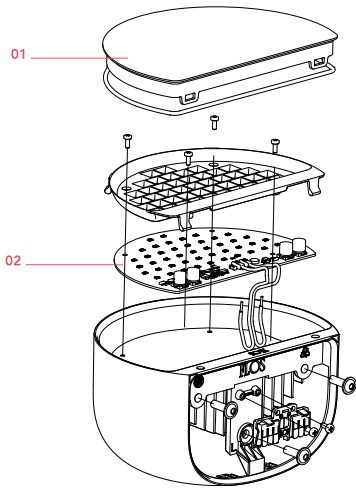
Photometric

Lighting type	Indirect, Direct
Light distribution	Symmetric
CCT (K)	2700
CRI>	90

Electrical

Insulation class	II
Frequency (Hz)	50/60
Main voltage (Vac)	220-240
LED voltage Vf (Vdc)	null
Driver	Integrated
Dimmable	Yes
Dimming type	Mains Cut Dimming
Dimming interface	Remote Dimmable (Dimmer Not Included)

Spare Parts



01. Bellhop W Transparent Difusser RF32828

02. LED Board for Bellhop Wall Up RF1080100

DOWNLOAD

BELLHOP WALL UP
F1080100
RF1080100
LED CHIP BOARD

EN



RF32828

Bellhop W Transparent Difusser

©2022 Flos. All rights reserved. Under license.
RF1080100: When installing, please refer to the technical manual of the power supply for the correct wiring.
For the installation of the power supply, it is necessary to consult a qualified professional.
RF1080100: When installing, please refer to the technical manual of the power supply for the correct wiring.
For the installation of the power supply, it is necessary to consult a qualified professional.

RF1080100

LED Board for Bellhop Wall Up