

ATELIER ARETI

PRODUCT

Sunset 482
Wall light

MATERIALS AND COLOUR OPTIONS

Brushed brass; nickel; powder coated metal; white acrylic

VERSIONS

Brushed brass structure; white acrylic tubes

482OL-W01-BR01

Black structure; white acrylic tubes

482OL-W01-ME01

Coloured metal structure; white acrylic tubes

482OL-W01-ME02

Nickel structure; white acrylic tubes

482OL-W01-NI01

TECHNICAL DETAILS

Built in LED

Input voltage EU: 230V

Input voltage US: 110V

Output voltage: 24V

2700K

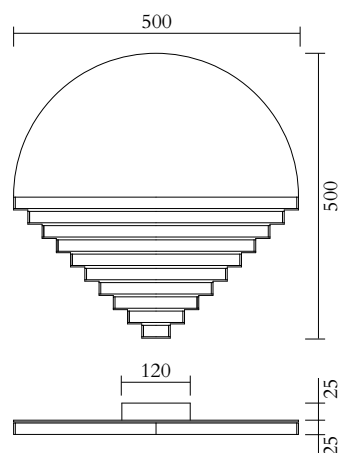
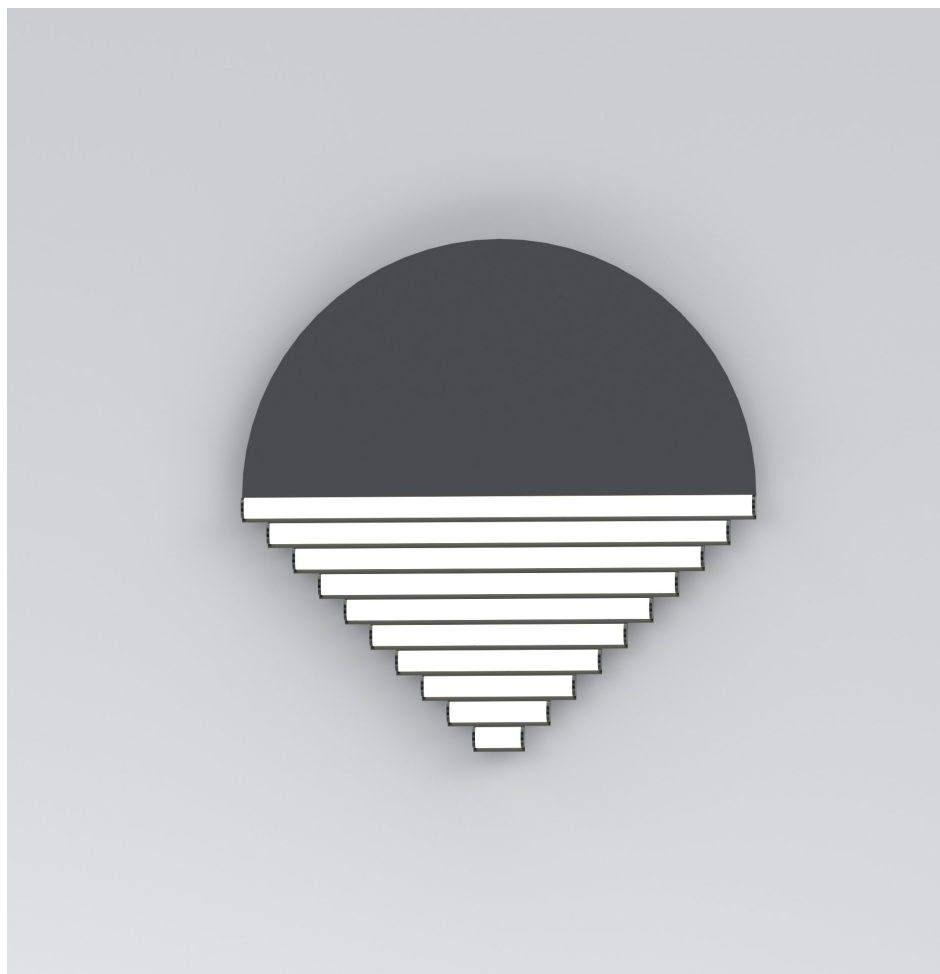
IP20

NOTE

Built in LED light source can be changed by Atelier Areti or a qualified workshop only

MADE IN

Germany



Sizes in mm. Flat attachments available under request. Variations in colour and size are available for some collections, please contact Areti for more details.

Our collections are hand made and made to order, small irregularities in shape or surface will occur, they are inherent to the hand made process and should not be seen as flaws. For detailed information on any products: contact@atelierareti.com