

# ATELIER ARETI

## PRODUCT

Rotation 437  
Pendant light / 3 elements

## MATERIALS AND COLOUR OPTIONS

Powder coated metal; glass lens

## VERSIONS

Black structure	437OL-P01-ME01
White structure	437OL-P01-ME02
Coloured structure	437OL-P01-ME03

## TECHNICAL DETAILS

Built in LED 5 x 6,6W  
Input voltage EU: 230V  
Input voltage US: 110V  
Output voltage: 24V  
2700K  
IP20

## CABLE LENGTH

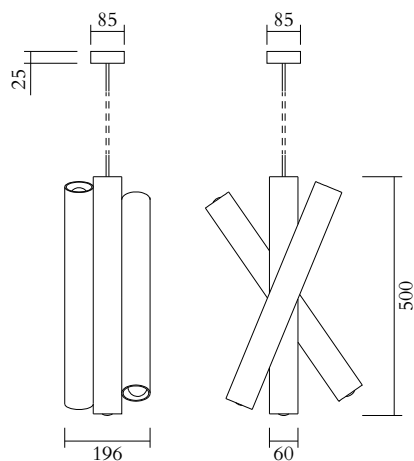
1,50 m

## NOTE

Built in LED light source can be changed by Atelier Areti or a qualified workshop only

## MADE IN

Germany



Sizes in mm. Flat attachments available under request. Variations in colour and size are available for some collections, please contact Areti for more details.

Our collections are hand made and made to order, small irregularities in shape or surface will occur, they are inherent to the hand made process and should not be seen as flaws. For detailed information on any products: [contact@atelierareti.com](mailto:contact@atelierareti.com)

# ATELIER ARETI

## PRODUCT

Rotation 437  
Pendant light / 5 elements

## MATERIALS AND COLOUR OPTIONS

Powder coated metal; glass lens

## VERSIONS

Black structure	437OL-P02-ME01
White structure	437OL-P02-ME02
Coloured structure	437OL-P02-ME03

## TECHNICAL DETAILS

Built in LED 8 x 6,6W  
Input voltage EU: 230V  
Input voltage US: 110V  
Output voltage: 24V  
2700K  
IP20

## CABLE LENGTH

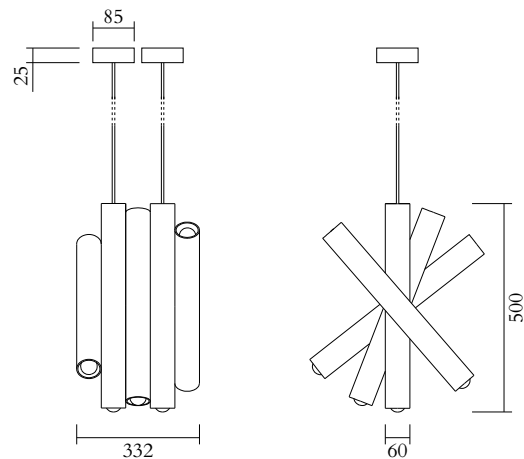
1,50 m

## NOTE

Built in LED light source can be changed by Atelier Areti or a qualified workshop only

## MADE IN

Germany



Sizes in mm. Flat attachments available under request. Variations in colour and size are available for some collections, please contact Areti for more details.

Our collections are hand made and made to order, small irregularities in shape or surface will occur, they are inherent to the hand made process and should not be seen as flaws. For detailed information on any products: [contact@atelierareti.com](mailto:contact@atelierareti.com)