

# ATELIER ARETI

## PRODUCT

Disc and Sphere Sliver Perforation 490  
Wall light / Cuts

## MATERIALS AND COLOUR OPTIONS

Polished brass; powder coated metal; brushed nickel;  
white glass

## VERSIONS

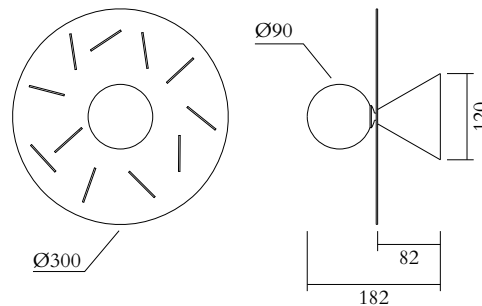
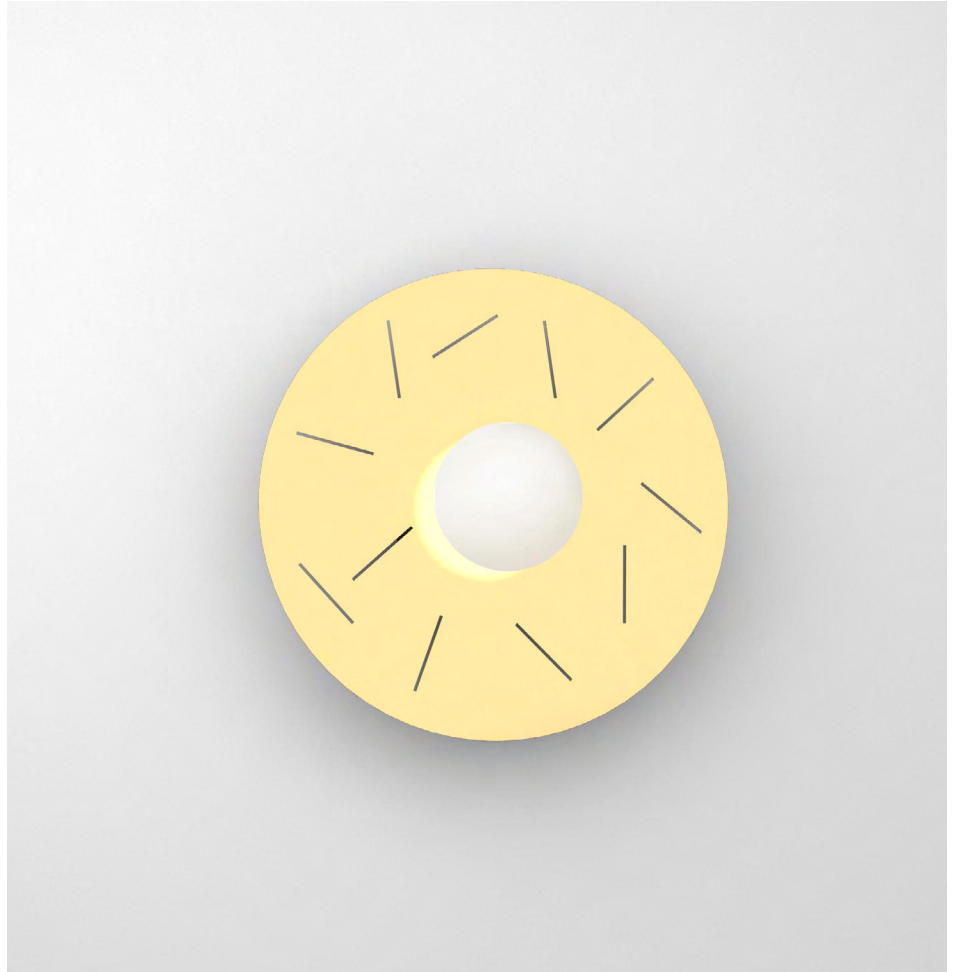
Polished brass disc; black cone attachment  
490OL-W01-BR01  
Polished brass disc; white cone attachment  
490OL-W01-BR02  
Black disc and cone attachment  
490OL-W01-ME01  
Coloured metal disc and cone attachment  
490OL-W01-ME02  
Brushed nickel disc; black cone attachment  
490OL-W01-NI01  
Brushed nickel disc; white cone attachment  
490OL-W01-NI02

## TECHNICAL DETAILS

1 x G9 LED 5W max  
110-230V  
IP20  
Light bulb not included

## MADE IN

Germany



Sizes in mm. Flat attachments available under request. Variations in colour and size are available for some collections, please contact Areti for more details.

Our collections are hand made and made to order, small irregularities in shape or surface will occur, they are inherent to the hand made process and should not be seen as flaws. For detailed information on any products: [contact@atelierareti.com](mailto:contact@atelierareti.com)

# ATELIER ARETI

## PRODUCT

Disc and Sphere Sliver Perforation 490  
Wall light / Dots

## MATERIALS AND COLOUR OPTIONS

Polished brass; powder coated metal; brushed nickel;  
white glass

## VERSIONS

Polished brass disc; black cone attachment

490OL-W02-BR01

Polished brass disc; white cone attachment

490OL-W02-BR02

Black disc and cone attachment

490OL-W02-ME01

Coloured metal disc and cone attachment

490OL-W02-ME02

Brushed nickel disc; black cone attachment

490OL-W02-NI01

Brushed nickel disc; white cone attachment

490OL-W02-NI02

## TECHNICAL DETAILS

1 x G9 LED 5W max

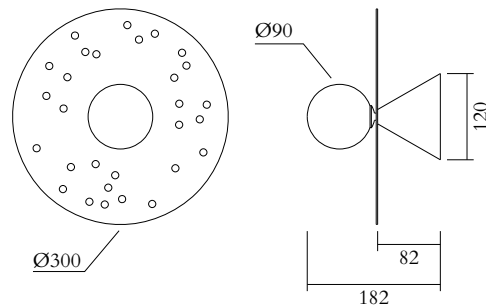
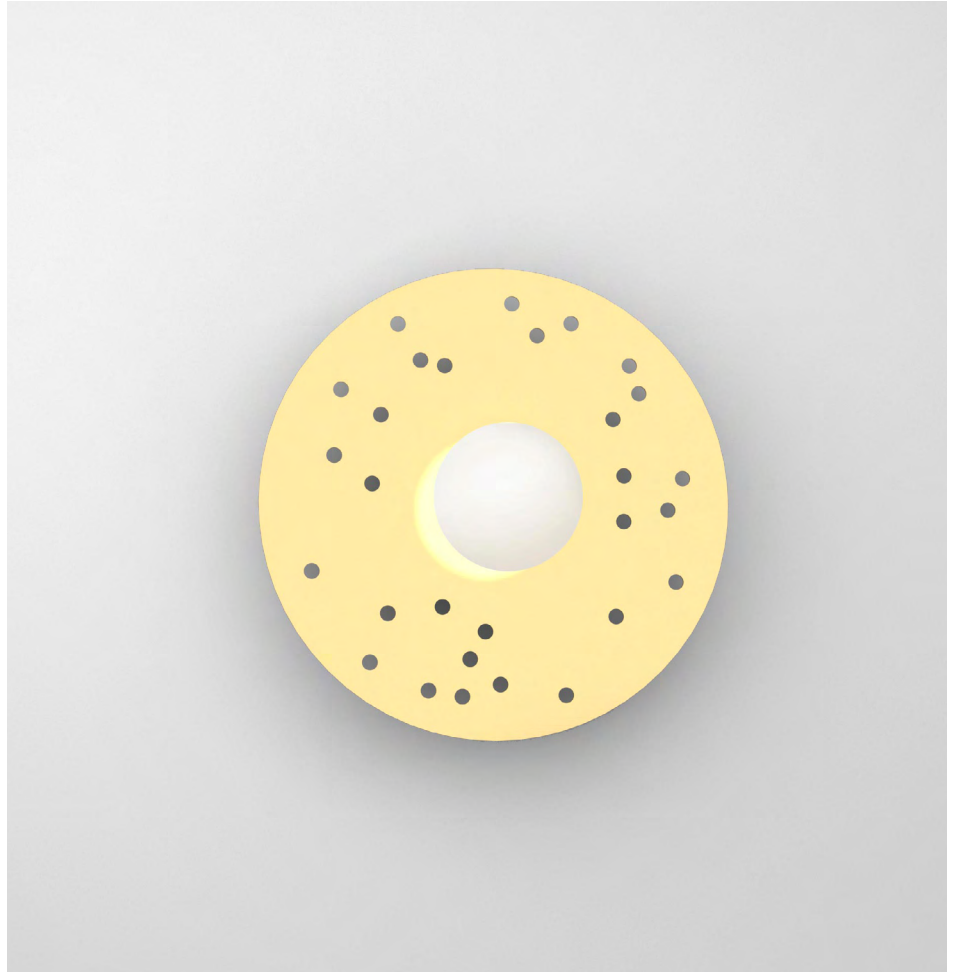
110-230V

IP20

Light bulb not included

## MADE IN

Germany



Sizes in mm. Flat attachments available under request. Variations in colour and size are available for some collections, please contact Areti for more details.

Our collections are hand made and made to order, small irregularities in shape or surface will occur, they are inherent to the hand made process and should not be seen as flaws. For detailed information on any products: [contact@atelierareti.com](mailto:contact@atelierareti.com)