

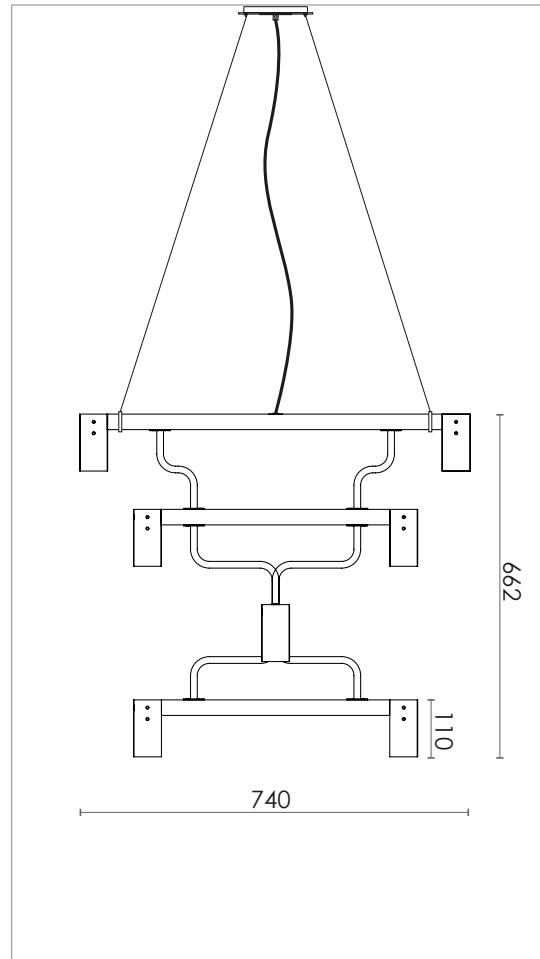
KENNEDY CHANDELIER

DESIGN SPECIFICATIONS

DIMENSIONS (mm)	H 662 x W 740- SHADE Ø54
WEIGHT (kg)	-
MATERIALS	THE LAMP IS MADE FROM CLEAR LACQURED BRASS, STEEL OR POWDER COATED STEEL.
CORD (mm)	BLACK TEXTILE - L 3800
ENVIRONMENT	INDOOR
DESIGN BY	NICLAS HOFLIN
DESIGN YEAR	2018

ELECTRICAL SPECIFICATIONS

SWITCH	NO
BULB HOLDER	GU10
LIGHT SOURCE	INCLUDED 8 X 6,5 W LED DIMMABLE -2700K
DIMMABLE	YES
MAX (W)	64 W LED
VOLTAGE	230 / 240
CLASS	1
IP	20



COLOURS

	BLACK	ART.NO. 375400005
	BRASS	ART.NO. 375400001
	BRONZE-COLOR	ART.NO. 375400223
	STEEL	ART.NO. 375400500